



KEY FEATURES

- 24-channel isolated output
- Single-width, half-height* (mid-height and full-height options available)
 - *Patent-pending design allows standard front panel I/O connectivity in a half-height AMC compliant form factor
- Interrupt levels are user selectable
- Input voltage from 10V to 38V with 45V surge @ 500ms
- AMC.1 compliant
- IPMI 2.0 compliant
- RoHS compliant
- OS support for:
 - Linux
 - Windows
 - Solaris
 - VxWorks

The AMC092 is a single-width, half-height* (mid-height and full-height options are available) AdvancedMC™ (AMC) 24-Channel Isolated Output board.

The outputs are divided into two categories. The isolated output voltage is used to drive 12 ports and another set of 12 ports is used to sink current.

Each output channel is independent and is processed separately, so activity on one channel has no effect on other channels. A key feature of the AMC092 is the capability to have multiple outputs change state with a single atomic-write transaction.

On the AMC092 the PODO is connected to the +28V Air Craft Voltage.

VadaTech can modify this product to meet special customer requirements without NRE (minimum order placement is required).

AdvancedMC™

AMC 24 Channel Isolated Output Module

SPECIFICATIONS

Architecture		
Physical	Dimensions	Single-Width, Half-Height (with Mid or Full-Height options)
		Width: 2.89 in. (73.5 mm)
		Depth: 7.11 in. (180.6 mm)
Type	AMC Output	24-channel optically isolated outputs
		Twelve outputs current source based on isolated output voltage
		Twelve outputs current sink
		Multiple outputs will change state with a single write
Standards		
AMC	Type	AMC.1
Module Management	IPMI	IPMI Version 2.0
PCIe	Lanes	x4
Configuration		
Power	AMC092	3.5W
Environmental	Temperature	Operating Temperature: 0° to 65° C (Air flow requirement is to be greater than 200 LFM)
		Storage Temperature: -40° to +90° C
	Vibration	1G, 5-500Hz each axis
	Shock	30Gs each axis
Front Panel	Relative Humidity	5 to 95 percent, non-condensing
	Interface Connectors	51-Pin Micro DIN
	LEDs	IPMI Management Control
		Activity and Link
Mechanical	Hot Swap Ejector Handle	
Software Support	Operating Systems	Linux, Windows, Solaris and VxWorks
Other		
MTBF	MIL Spec 217-F > 242,000 Hrs.	
Certifications	Designed to meet FCC, CE and UL certifications where applicable	
Standards	VadaTech is certified to both the ISO9001:2000 and AS9100B:2004 standards	
Compliance	RoHS and NEBS	
Warranty	Two (2) years.	
Trademarks and Logos	The VadaTech logo is a registered trademark of VadaTech, Inc. Other registered trademarks are the property of their respective owners. AdvancedMC™ and the AdvancedTCA™ logo are trademarks of the PCI Industrial Computers Manufacturers Group. All rights reserved. Specification subject to change without notice.	
Notes	The Half-Height front panel is a patent-pending design. Contact your Sales representative for more information.	

AMC 24 Channel Isolated Output Module

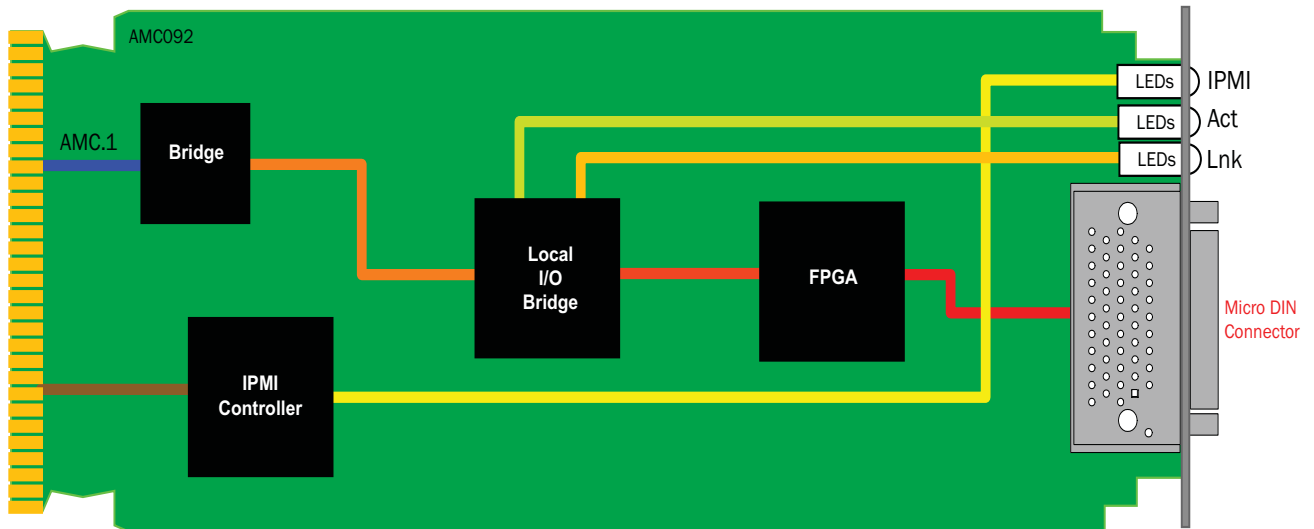


FIGURE 1. AMC092 Functional Block Diagram

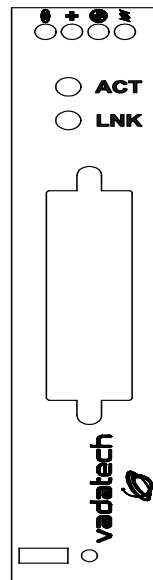


FIGURE 2. AMC092 Front Panel

AMC 24 Channel Isolated Output Module

ORDERING OPTIONS

AMC092 - 00C - 000 - OHJ

C = Front Panel

- 1 = Half-Height
- 2 = Mid-Height
- 3 = Full-Height

H = Operating Temp

- 0 = Commercial
- 1 = Industrial

J = Conformal Coating

- 0 = None
- 1 = Humiseal 1A33 Polyurethane
- 2 = Humiseal 1B31 Acrylic



Document No. 4FM430-05 Date: July 20 2007 Pass Two