

AMC626

Integrated RAID, Expansion w/HBA, AMC



AMC626

Key Features

- Host Bus Adapter (HBA) for external SATA III (6.0 Gbps) or SAS-3 (12 Gbps) drives
- AMC.1 compliant, PCIe Gen3 x8 or x4
- Support for 8 SAS/SATA ports
- Dual expansion ports to external devices
- Integrated RAID 0, 1, 1E, and 10
- Single module, mid-size (full-size options available)

Benefits

- PCIe Gen3 provides four times the back-end transfer rate as previous VadaTech modules
- Fault tolerant data storage
- Design utilizes proven VadaTech subcomponents and engineering techniques
- Electrical, mechanical, software, and system-level expertise in house

AdvancedMC™



vadatech
THE POWER OF VISION



AMC626

The AMC626 is an integrated RAID with a Host Bus Adapter for external SATA III or SAS-3 drives. AMC.1 compliant, the AMC module routes PCIe Gen3 x8 or x4 to the backplane. The storage module has integrated RAID 0 (striping), 1 (mirroring), 1E, and 10 (mirroring and block-level striping).

Dual SFF-8644 connectors on the front panel provide dual x4 expansion to an external JBOD or other storage device (including other VadaTech storage AMCs). The AMC626 comes in the single module, mid-size. A full-size panel option is also available.

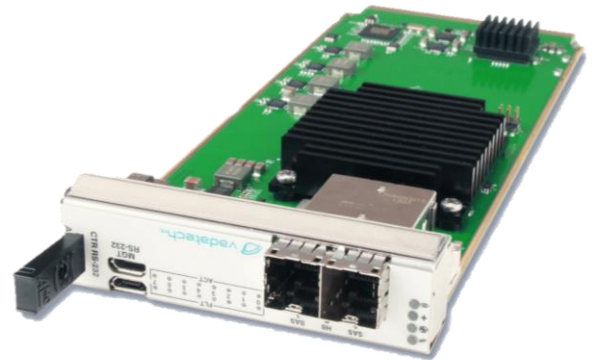


Figure 1: AMC626

Block Diagram

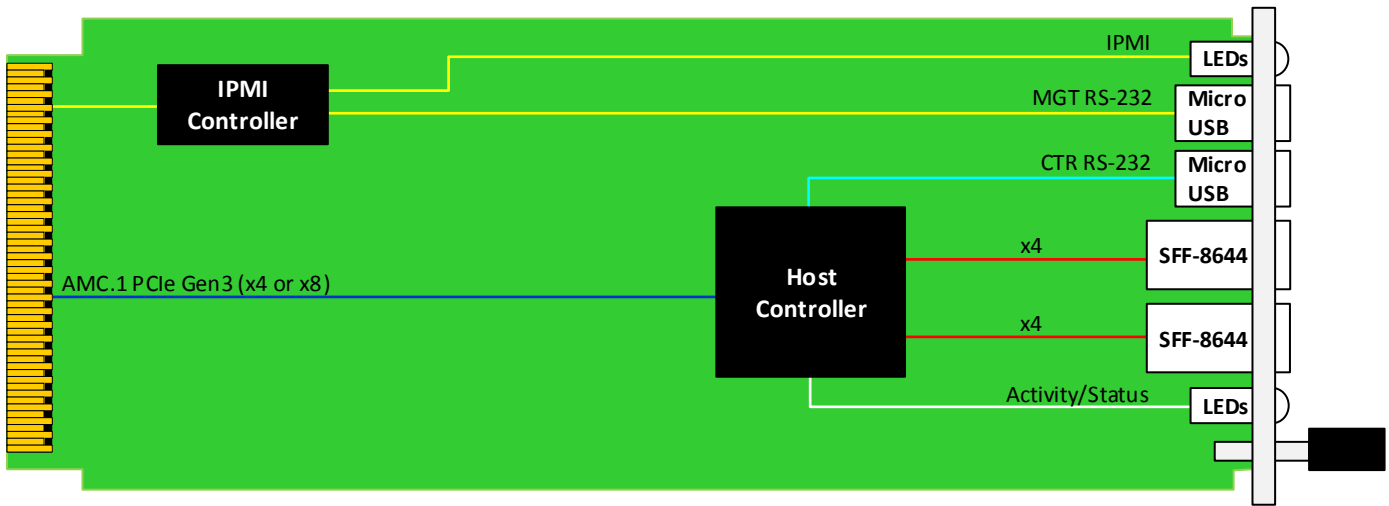


Figure 2: AMC626 Functional Block Diagram

Front Panel



Figure 3: AMC626 Front Panel

Specifications

Architecture	
Physical	Dimensions Single module, mid-size (full-size optional) Width: 2.89" (73.5 mm) Depth 7.11" (180.6 mm)
Type	AMC Storage Integrated RAID (0, 1, 1E, and 10)
Standards	
AMC	Type AMC.0 and AMC.1
Module Management	IPMI IPMI v2.0
PCIe	Lanes Gen 3 x4 or x8
Configuration	
Power	AMC626 7W
Environmental	Temperature See ordering options and environmental spec sheet Storage Temperature: -40° to +85°C
	Vibration Operating 9.8 m/s ² (1G), 5 to 500 Hz on each axis
	Shock Operating 325G/2 ms, 160G/1 ms
	Relative Humidity 5 to 95% non-condensing
Front Panel	Interface Connectors Dual SFF-8644 Dual Micro USB (Controller RS-232 and MGT RS-232)
	LEDs IPMI management control Activity and Heartbeat
	Mechanical Hot swap ejector handle
Other	
MTBF	MIL Hand book 217-F@ TBD hrs
Certifications	Designed to meet FCC, CE and UL certifications, where applicable
Standards	VadaTech is certified to both the ISO9001:2000 and AS9100B:2004 standards
Warranty	Two (2) years

INTEGRATION SERVICES AND APPLICATION-READY PLATFORMS

VadaTech has a full ecosystem of OpenVPX, ATCA and MTCA products including chassis platforms, shelf managers, AMC modules, Switch and Payload Boards, Rear Transition Modules (RTMs), Power Modules, and more. The company also offers integration services as well as pre-configured Application-Ready Platforms. Please contact VadaTech Sales for more information.

Ordering Options

AMC626 – A0C-000-0HJ

A = PCIe		
1 = PCIe x4 2 = PCIe x8		
		H = Temperature Range
		0 = Commercial (-5° to +55°C) 1 = Industrial (-20° to +70°C) 2 = Extended (-40° to +80°C)*
C = Front Panel		J = Conformal Coating
1 = Reserved 2 = Mid-size, MTCA.0 3 = Full-size, MTCA.0 4 = Reserved 5 = Mid-size, MTCA.1 (captive screws) 6 = Full-size, MTCA.1 (captive screws)		0 = No coating 1 = Humiseal 1A33 Polyurethane 2 = Humiseal 1B31 Acrylic

Notes: *Conduction cooled, temperature is at edge of module. Consult factory for availability

Related Products

UTC004



- Single module, full size per AMC.0
- Unified 1 GHz quad-core CPU for MCMC (MicroTCA Carrier Management Controller), Shelf Manager, Clocking, and Fabric management
- Automatic fail-over with redundant UTC004s

UTC010



- Single module, full size module per AMC.0
- Dual -36V DC to -75V DC input, 792W (available in 396W)
- Hot swappable with support for power module redundancy

VT857



- Twelve mid-size single module AMC slots or six mid-size double module AMC slots
- Cascade any number of 1U Carriers for expansion and management
- Management can run as Shelf/MicroTCA Carrier Management Controller (MCMC) or MCMC

Contact

VadaTech Corporate Office

198 N. Gibson Road, Henderson, NV 89014

Phone: +1 702 896-3337 | Fax: +1 702 896-0332

Asia Pacific Sales Office

7 Floor, No. 2, Wenhua Street, Neihu District, Taipei 114, Taiwan

Phone: +886-2-2627-7655 | Fax: +886-2-2627-7792

VadaTech European Sales Office

VadaTech House, Bulls Copse Road, Southampton, SO40 9LR

Phone: +44 2380 016403

info@vadatech.com | www.vadatech.com

Choose VadaTech

We are technology leaders

- First-to-market silicon
- Constant innovation
- Open systems expertise

We commit to our customers

- Partnerships power innovation
- Collaborative approach
- Mutual success

We deliver complexity

- Complete signal chain
- System management
- Configurable solutions

We manufacture in-house

- Agile production
- Accelerated deployment
- AS9100 accredited



vadatech
THE POWER OF VISION

Trademarks and Disclaimer

The VadaTech logo is a registered trademark of VadaTech, Inc. Other registered trademarks are the property of their respective owners. AdvancedTCA™ and the AdvancedMC™ logo are trademarks of the PCI Industrial Computers Manufacturers Group. All rights reserved. Specification subject to change without notice.

© 2019 VadaTech Incorporated. All rights reserved.
DOC NO. 4FM737-12 REV 01 | VERSION 4.1 – MAR/19