

AMC767

Intel® Core™ i7-1185GRE,
Processor AMC



AMC767

Key Features

- Intel® Core™ Processor i7-1185GRE (Tiger Lake)
- 10G on ports 4 and 8
- Dual GbE to ports 0-1 and a GbE to Front
- SATA on Port 2
- Dual USB 3.2, Dual RS-232 and Mini Display Port (DP++) to Front
- 32GB of DDR4 with in-band ECC
- 1TB of NVMe SSD
- TPM (Trusted Platform Management)
- Health Management through dedicated Processor
- Single module, mid-size (option for other size) per AMC.0

Benefits

- 11th Gen i7 Intel® Core™ Processor
- Availability of chassis supporting high-speed backplanes
- Design utilizes proven VadaTech subcomponents and engineering techniques
- Electrical, mechanical, software, and system-level expertise in house
- Full system supply from industry leader
- RoHS compliant, AS9100 and ISO9001 certified company



vadatech
THE POWER OF VISION

AdvancedMC™



AMC767

The AMC767 is a Processor AMC (PrAMC) in a single module, mid-size Advanced Mezzanine Card (AMC) form factor based based on the 11th Generation of Intel® Core™ i-7Processor i7-1185GRE (Tiger Lake). The processor base frequency is a quad core 1.8 GHz with max turbo frequency of 4.4 GHz.

The unit provides Dual 10G on ports 4 and 8, dual GbE on Ports 0 and 1 per AMC.2, and SATA on Ports 2. It also provides GbE to the front panel.

The AMC767 has up to 32GB of DDR4 memory with in-band ECC and 1TB of NVMe SSD for OS. The BIOS allows booting from onboard Flash, PXE, and/or USB.

The module provides TPM (Trust Management Platform) for secure boot.

Figure 1: AMC767

Figure 2: AMC767 Front Panel View

Figure 3: AMC767 without Heatsink

Figure 4: AMC767 with Heatsink

Block Diagram

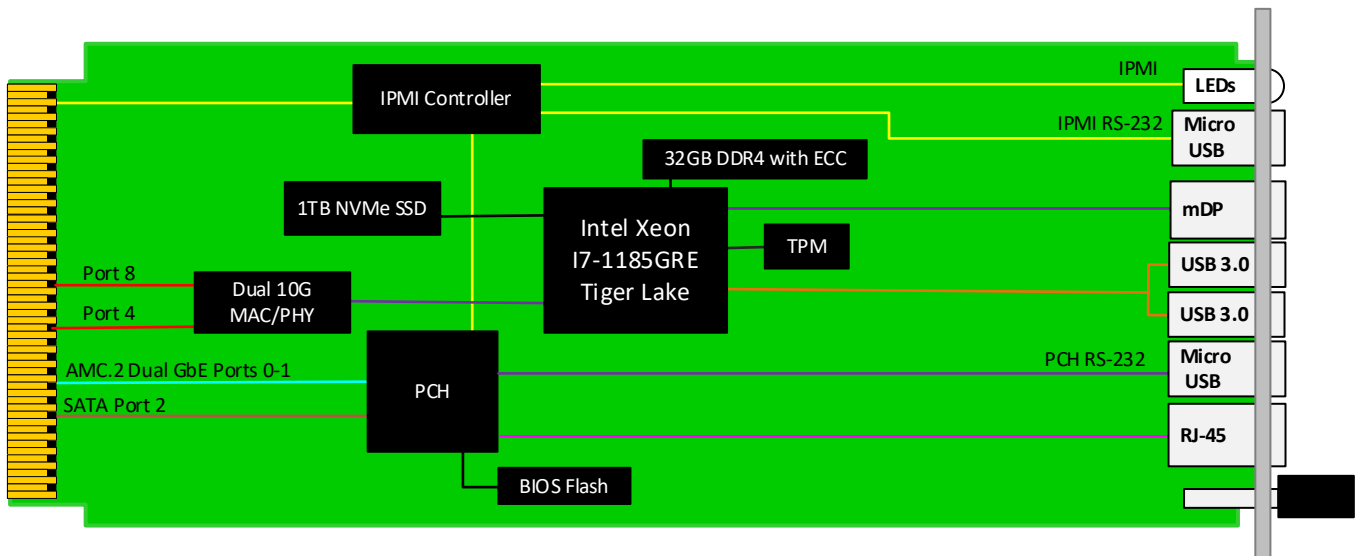


Figure 2: AMC767 Functional Block Diagram

Front Panel

Figure 3: AMC767 Front Panel

Specifications

Architecture	
Physical	Dimensions Width: 2.89" (73.5 mm) Depth: 7.11" (180.6 mm)
Type	AMC Processor Intel® Core™ Processor i7-1185GRE
Standards	
AMC	Type AMC.1, AMC.2, AMC.3 (only port 2)
Module Management	IPMI IPMI v2.0
10GbE	Lanes Port 4 and 8
Configuration	
Power	AMC767 ~29W
Environmental	Temperature See Ordering Options Storage Temperature: -40° to +90°C Altitude Chassis dependent Relative Humidity 5 to 95% non-condensing
Front Panel	Interface Connectors 1x RJ-45 for GbE 2x USB type C connectors for USB 3.2 2x Micro USB for IPMI RS-232 and PCH RS-232 1x Mini Display Port (DP++) for graphics LEDs IPMI, activity Mechanical Hot-swap ejector handle
Software Support	Operating System Linux (consult VadaTech for other options)
Other	
MTBF	MIL Hand book 217-F@ TBD hrs
Certifications	Designed to meet FCC, CE and UL certifications, where applicable
Standards	VadaTech is certified to both the ISO9001:2015 and AS9100D standards
Warranty	Two (2) years, see VadaTech Terms and Conditions

INTEGRATION SERVICES AND APPLICATION-READY PLATFORMS

VadaTech has a full ecosystem of OpenVPX, ATCA and MTCA products including chassis platforms, shelf managers, AMC modules, Switch and Payload Boards, Rear Transition Modules (RTMs), Power Modules, and more. The company also offers integration services as well as pre-configured Application-Ready Platforms. Please contact VadaTech Sales for more information.

Ordering Options

AMC767 – ABC-D00-00J

A = DDR4 Memory 0 = Reserved 1 = Reserved 2 = 32 GB	D = CPU 0 = i7-1185GRE	
B = Flash Storage 0 = Reserved 1 = 1 TB NVMe		
C = Front Panel Size 1 = Reserved 2 = Mid-size 3 = Full-size 4 = 8HP 5 = Reserved 6 = Mid-size, MTCA.1/4 7 = Full-size, MTCA.1/4 8 = 8HP, MTCA.1/4		J = Temperature Range and Coating* 0 = Commercial (–5° to +55°C), No coating 1 = Commercial (–5° to +55°C), Humiseal 1A33 Polyurethane 2 = Commercial (–5° to +55°C), Humiseal 1B31 Acrylic 3 = Industrial (–20° to +70°C), No coating 4 = Industrial (–20° to +70°C), Humiseal 1A33 Polyurethane 5 = Industrial (–20° to +70°C), Humiseal 1B31 Acrylic 6 = Extended (–40° to +85°C), Humiseal 1A33 Polyurethane 7 = Extended (–40° to +85°C), Humiseal 1B31 Acrylic

Notes:

*Edge of module for conduction cooled boards, consult factory for availability

Related Products

UTC004



- Unified 1 GHz quad-core CPU for MCMC, Shelf Manager, Clocking, and Fabric management
- Automatic fail-over with redundant UTC004s
- Full Layer 2 or 3 managed Ethernet switches

UTC020



- Single module, full-size per AMC.0
- Dual -36V DC to -75V DC input, 936W (available in 468W)
- Hot swappable with support for power module redundancy

VT866



- MTCA System Platform 19" x 5U x 10.5" deep (with handles 12" deep)
- Full redundancy with dual MicroTCA Carrier Hub (MCH), dual Cooling Units and dual Power Modules
- Up to 12 AMCs in single width/full-size

Contact

VadaTech Corporate Office

198 N. Gibson Road, Henderson, NV 89014

Phone: +1 702 896-3337 | Fax: +1 702 896-0332

Asia Pacific Sales Office

7 Floor, No. 2, Wenhua Street, Neihu District, Taipei 114, Taiwan

Phone: +886-2-2627-7655 | Fax: +886-2-2627-7792

VadaTech European Sales Office

VadaTech House, Bulls Copse Road, Southampton, SO40 9LR

Phone: +44 2380 016403

info@vadatech.com | www.vadatech.com

Choose VadaTech

We are technology leaders

- First-to-market silicon
- Constant innovation
- Open systems expertise

We commit to our customers

- Partnerships power innovation
- Collaborative approach
- Mutual success

We deliver complexity

- Complete signal chain
- System management
- Configurable solutions

We manufacture in-house

- Agile production
- Accelerated deployment
- AS9100 accredited



vadatech
THE POWER OF VISION

Trademarks and Disclaimer

The VadaTech logo is a registered trademark of VadaTech, Inc. Other registered trademarks are the property of their respective owners. AdvancedTCA™ and the AdvancedMC™ logo are trademarks of the PCI Industrial Computers Manufacturers Group. All rights reserved. Specification subject to change without notice.

© 2020 VadaTech Incorporated. All rights reserved.
DOC NO. 4FM737-12 REV 01 | VERSION 1.5 – MAY/23