

# ATC128

## ATCA Rugged Blade Processor with Dual Xeon Cascade Lake-SP



ATC128

### Key Features

- Dual socket 24-core Intel® Xeon® Platinum Processors - Scalable Performance (SP)
- Multiple SKU support (i.e. 8256, 8253, 6238T, 6230T, 5220T, 5218T, 4209T, etc.)
- Twelve banks of DDR4 for up to 384 GB with ECC per socket (total of 768 GB)
- PCIe Fabric and expansion channels
- Dual 10/100/1000Base-T Base Channels
- Dual 10GbE Copper via front panel
- Dual USB 3.0
- IPMI Management Controller with Serial Over LAN capabilities (SOL)
- BIOS redundancy boot with multiple Watch Dog Timers (WDTs) for fail-over, before and after BIOS boot

### Benefits

- High performance rugged processor blade
- Electrical, mechanical, software, and system-level expertise in house
- Full system supply from industry leader
- AS9100 and ISO9001 certified company

**Advanced TCA®**



**vadatech**  
THE POWER OF VISION



# ATC128

The ATC128 is a high performance ATCA processor blade featuring dual 24 core Intel® Xeon® processors, each with six banks of memory providing up to a total of 384 GB DDR4 memory with ECC per socket (total Blade memory is 768G).

ATC128 is versatile in connectivity and includes two PCIe Fabric Interfaces, PCIe to RTM expansion, dual GbE base Interfaces, dual front panel GbE egress Ports, front panel Micro USB (RS-232), USB 3.0 Ports and front panel VGA connector. Onboard mSATA storage is available for local boot.

The ATCA blade is PXI-boot capable via any of the onboard Ethernet interfaces. It offers Serial over LAN (SOL) utilizing Hardware Random Number Generation (RNG) to form a secure session.

The ATC128 has dual redundant BIOS-boot capability with multiple (WDTs) for fail-safe, before and after OS boot. The ATC128 has an onboard FPGA which allows secure boot of the system. The FPGA can be reprogrammed by the customer to meet their security requirement.

The Unit uses one of the most feature rich Health Management Module in the industry, incorporating HTTP and HTTPS support, Web Interface, added security with SSL, multiple user permission level, etc.

The ATC128 can be ruggedized for harsh environments. See customer ordering options for conformal coating.



Figure 1: ATC128

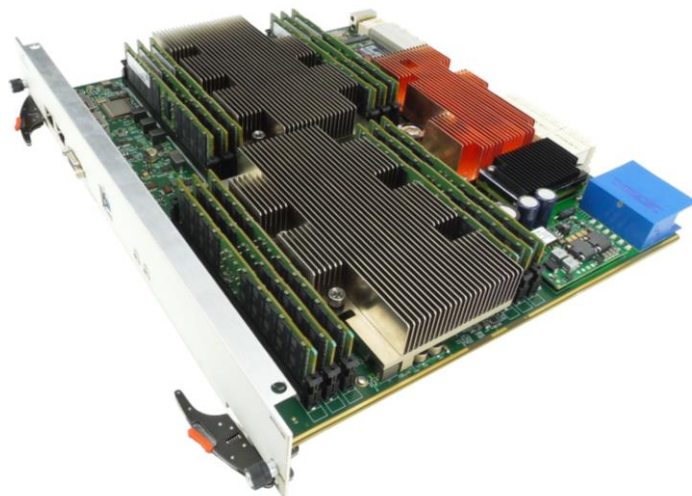


Figure 2: ATC128 (with heat sink)

# Block Diagram

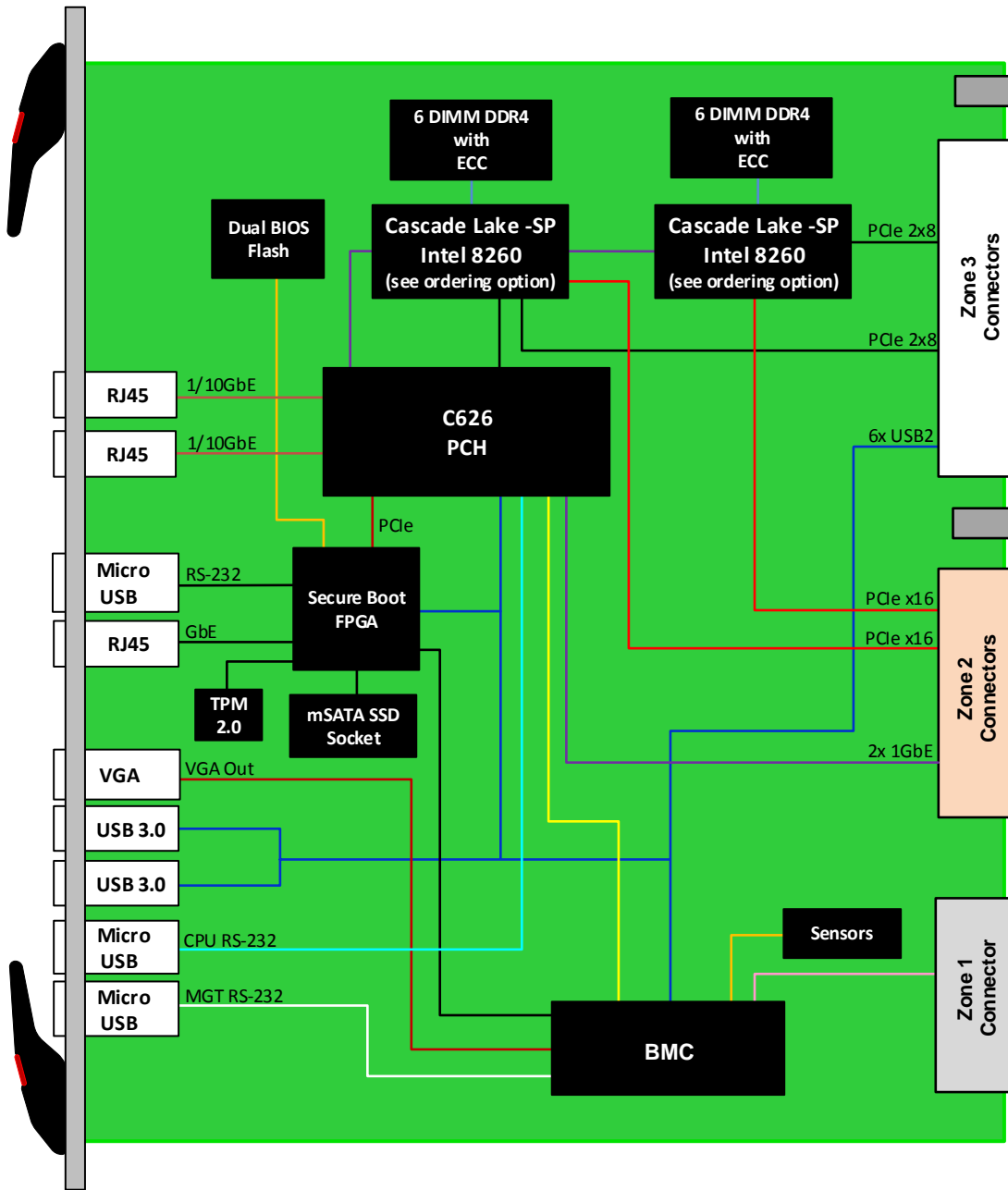


Figure 3: ATC128 Functional Block Diagram

# Specifications

Architecture	
<b>Physical</b>	<b>Dimensions</b> Width: 12.687" (322.25 mm) Depth: 11.024" (280 mm)
<b>Type</b>	<b>ATCA Processor</b> Dual Intel Xeon <b>Memory</b> 2 banks of DDR4 with 6 DIMM per socket
Standards	
<b>ATCA</b>	<b>Type</b> PICMG 3.0 Revision 3.0
<b>Module Management</b>	<b>IPMI</b> IPMI v2.0
Configuration	
<b>Power</b>	<b>ATC128</b> ~350W (CPU SKU and memory dependent)
<b>Environmental</b>	<b>Temperature</b> See <a href="#">Ordering Options</a> Storage Temperature: -40° to +85°C <b>Vibration</b> 0.5G 5 to 500 Hz on each axis <b>Shock</b> Operating 30Gs on each axis <b>Relative Humidity</b> 5 to 95% non-condensing
<b>Front Panel</b>	<b>Interface Connectors</b> x2 USB 3.0 x3 RJ-45 for 1/10GbE x3 Micro USB for Serial Management Ports VGA <b>LEDs</b> IPMI, Activity, Status and User defined <b>Ejector Handles</b> Hot-swap with micro-switch
<b>Software Support</b>	<b>Operating System</b> Linux
Other	
<b>MTBF</b>	MIL Hand book 217-F@ TBD hrs
<b>Certifications</b>	Designed to meet FCC, CE and UL certifications, where applicable
<b>Standards</b>	VadaTech is certified to both the ISO9001:2015 and AS9100D standards
<b>Warranty</b>	Two (2) years, see <a href="#">VadaTech Terms and Conditions</a>

## INTEGRATION SERVICES AND APPLICATION-READY PLATFORMS

VadaTech has a full ecosystem of OpenVPX, ATCA and MTCA products including chassis platforms, shelf managers, AMC modules, Switch and Payload Boards, Rear Transition Modules (RTMs), Power Modules, and more. The company also offers integration services as well as pre-configured Application-Ready Platforms. Please contact VadaTech Sales for more information.

# Ordering Options

## ATC128 – ABC-DE0-0HJ

<b>A = Processor Xeon SKU*</b> 0 = Reserved 1 = 8256 3.8 GHz, 4 cores 2 = 8253 2.2 GHz, 16 cores 3 = 6238T 1.9 GHz, 22 cores 4 = 6230T 2.1 GHz, 20 cores 5 = 5220T 1.9 GHz, 18 cores 6 = 5218T 2.1 GHz, 16 cores 7 = 4209T 2.2 GHz, 8 cores 8 = Reserved 9 = Reserved	<b>D = DRAM per Processor**</b> 0 = 384 GB 1 = 192 GB 2 = 96 GB	
<b>B = Number of Processors</b> 0 = Dual 1 = Single	<b>E = mSATA SSD Socket</b> 0 = No disk 1 = One TB 2 = Two TB	<b>H = Temperature Range</b> 0 = Commercial 1 = Industrial
<b>C = Panel Size*</b> 0 = 6 HP 1 = 9 HP 2 = 12 HP		<b>J = Conformal Coating</b> 0 = No coating 1 = Humiseal 1A33 Polyurethane 2 = Humiseal 1B31 Acrylic

**Notes:**

\*Other SKU's are supported please contact VadaTech sales

\*\*The DRAM is per socket. For example, D = 0 (total memory 768 GB)

## Related Products

ATC126



- Dual 14-core Intel® Xeon® E5-2658, 2680, 2648L, 2618L, 2620, 2630 v4 processors
- Eight banks of DDR4 for up to 256 GB memory
- 10/40GbE Fabric channels

ATC129



- Dual socket 24-core Intel® Xeon® Platinum Processors - Scalable Performance (SP)
- Twelve banks of DDR4 for up to 384 GB with ECC per socket (total of 768 GB)
- Dual 100G ethernet to Zone Two

VT830



- 19" rackmount 6U ATCA Chassis with integrated Switch and Shelf Manager
- 10GbE/GbE Managed Layer 2
- 40GbE/10GbE/GbE Managed Layer 3

# Contact

## VadaTech Corporate Office

198 N. Gibson Road, Henderson, NV 89014

Phone: +1 702 896-3337 | Fax: +1 702 896-0332

## Asia Pacific Sales Office

7 Floor, No. 2, Wenhua Street, Neihu District, Taipei 114, Taiwan

Phone: +886-2-2627-7655 | Fax: +886-2-2627-7792

## VadaTech European Sales Office

VadaTech House, Bulls Copse Road, Southampton, SO40 9LR

Phone: +44 2380 016403

info@vadatech.com | www.vadatech.com

# Choose VadaTech

## We are technology leaders

- First-to-market silicon
- Constant innovation
- Open systems expertise

## We commit to our customers

- Partnerships power innovation
- Collaborative approach
- Mutual success

## We deliver complexity

- Complete signal chain
- System management
- Configurable solutions

## We manufacture in-house

- Agile production
- Accelerated deployment
- AS9100 accredited



### Trademarks and Disclaimer

The VadaTech logo is a registered trademark of VadaTech, Inc. Other registered trademarks are the property of their respective owners. AdvancedTCA™ and the AdvancedMC™ logo are trademarks of the PCI Industrial Computers Manufacturers Group. All rights reserved. Specification subject to change without notice.

© 2020 VadaTech Incorporated. All rights reserved.

DOC NO. 4FM737-12 REV 01 | VERSION 1.4 – JAN/20



**vadatech**  
THE POWER OF VISION