

# SOF209

## Quad ADC 14-bit @ 3 GSPS, SOFI Module



SOF209

### Key Features

- Quad ADC 14-bit @ 3 GSPS (dual AD9208)
- Optional additional quad ADC using a further two AD9208
- Onboard Wideband PLL structure
- LMK04821 PLL (with 100 MHz VCXO) for JESD lane clocking and sysref

SOF209 provides four ADC channels via two AD9208s. Optional daughter card DA771 adds another two AD9208s, supporting up to eight ADC channels in total. Reference clock is accepted from the front panel via PLL.

**NOTE:** This module is not orderable as a standalone item and must be purchased as part of an AMSxxx (AMC module) or VPSxxx (3U VPX module) product. See [SOFI Overview](#) for details.



**vadatech**  
THE POWER OF VISION





Figure 1: SOF209 and DA771 Functional Block Diagram

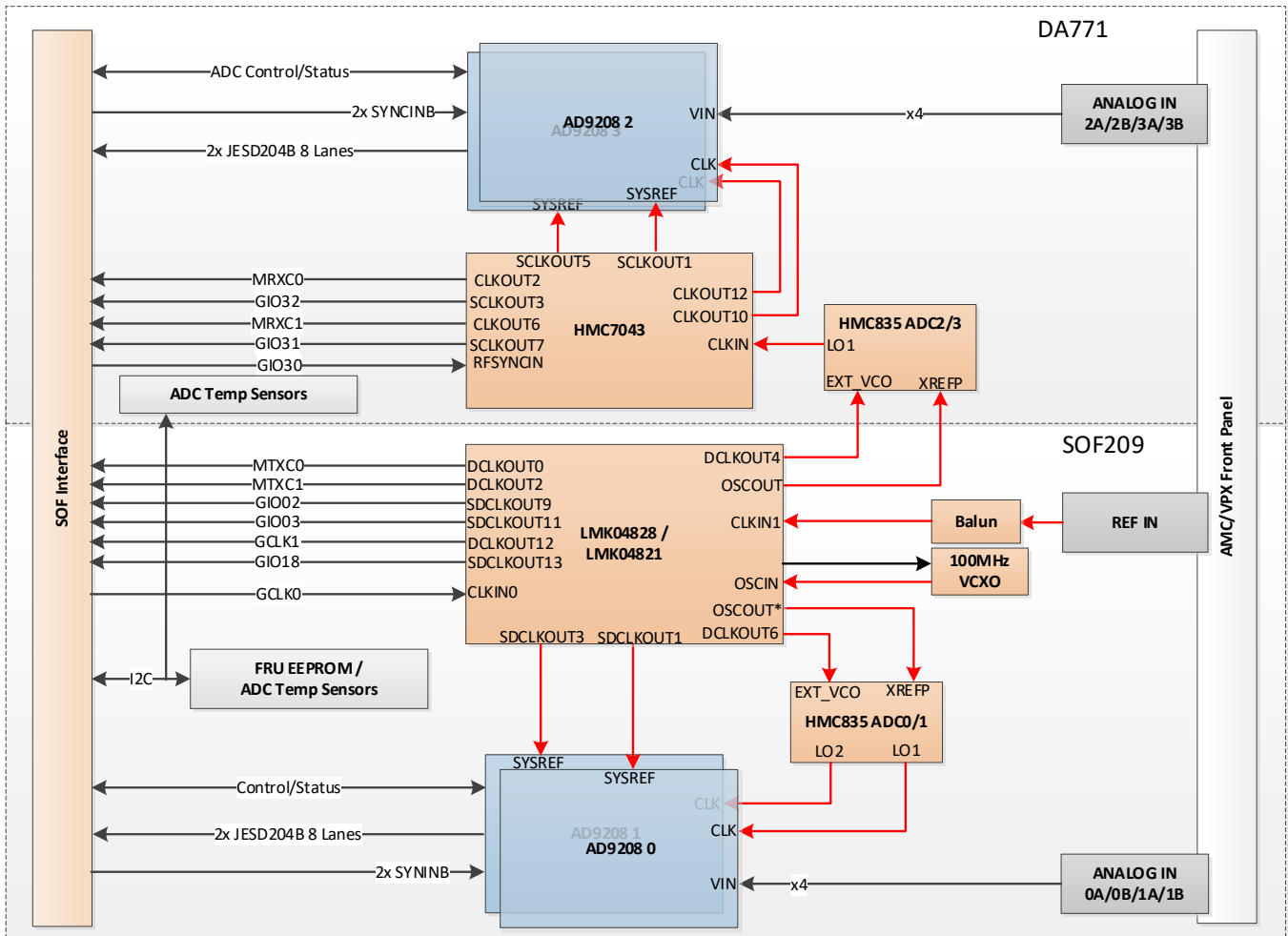


Figure 2: SOF209 and DA771 Functional Block Diagram

# Contact

## VadaTech Corporate Office

198 N. Gibson Road, Henderson, NV 89014

Phone: +1 702 896-3337 | Fax: +1 702 896-0332

## Asia Pacific Sales Office

7 Floor, No. 2, Wenhua Street, Neihu District, Taipei 114, Taiwan

Phone: +886-2-2627-7655 | Fax: +886-2-2627-7792

## VadaTech European Sales Office

VadaTech House, Bulls Copse Road, Southampton, SO40 9LR

Phone: +44 2380 016403

info@vadatech.com | www.vadatech.com

# SOFI Modules

SOFI modules are physically similar to FMC modules but are incompatible with FMC carriers, and are not designed to be interchangeable in the field.

See [SOFI Overview](#) for compatibility with AMC and 3U VPX carriers. If the particular combination of form factor, FPGA and ADC/DAC performance you require is not yet listed, please contact your local VadaTech sales team for details of how we can support you.

**NOTE: This module is not orderable as a standalone item and must be purchased as part of an AMSxxx (AMC module) or VPSxxx (3U VPX module) product.**



**vadatech**  
THE POWER OF VISION

## Trademarks and Disclaimer

The VadaTech logo is a registered trademark of VadaTech, Inc. Other registered trademarks are the property of their respective owners. AdvancedTCA™ and the AdvancedMC™ logo are trademarks of the PCI Industrial Computers Manufacturers Group. All rights reserved. Specification subject to change without notice.

© 2020 VadaTech Incorporated. All rights reserved.  
DOC NO. 4FM737-12 REV 01 | VERSION 1.2- JUN/20