

VRT336A

Rear I/O For VadaTech VPX336,
VPX RTM

VRT336A



vadatech
THE POWER OF VISION

Key Features

- 3U RTM (Rear Transition Module) per VITA 46
- VRT336A mates to the VadaTech VPX336 for the I/O breakout thru the RTM

Benefits

- Electrical, mechanical, software, and system-level expertise in house
- Full system supply from industry leader
- AS9100 and ISO9001 certified company

OpenVPX™



VRT336A

The VRT336A is a 3U VPX RTM providing I/O expansion for use with the VadaTech VPX336.

Dual GbE 1000Base-T are routed from RP1 to back panel RJ-45.

The RP2 carries the MLVS/LVDS clocks that are converted to the single ended which connects to the VHDCI connector.

The RP3 carries the LVDS clocks which are converted to the single ended that also go to the VHDCI connector. The single end signals that are on the RP3 are further routed to the VHDCI connector.

The VHDCI allows easy breakout of the clocks and GPIO.

Figure 1: VRT336A

Block Diagram

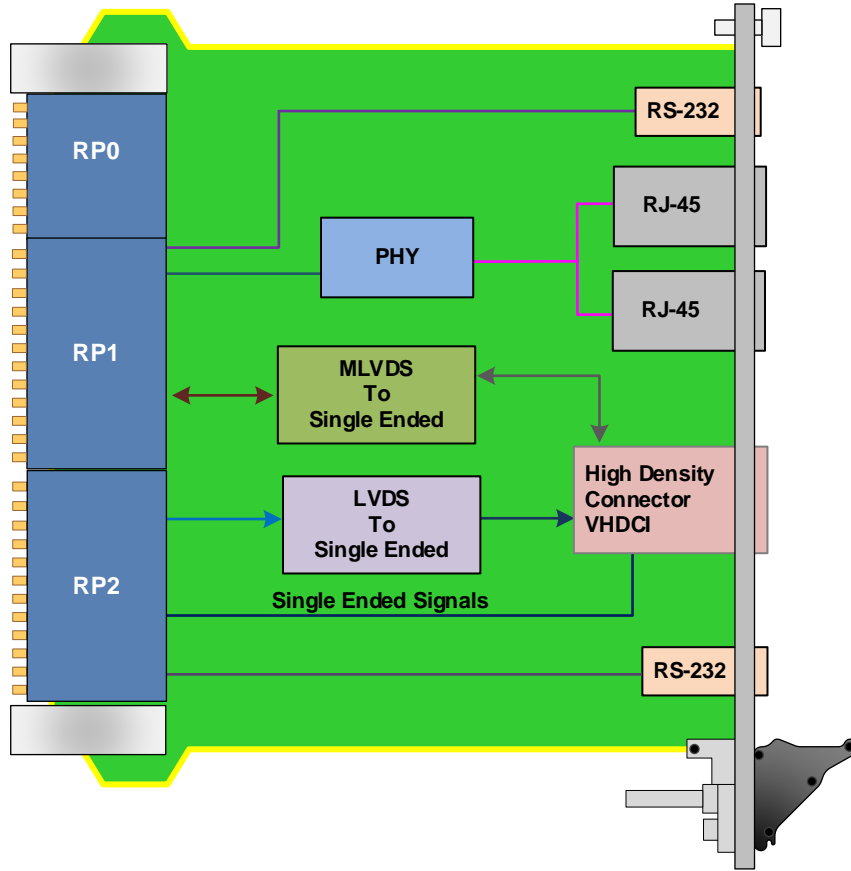


Figure 2: VRT336A Functional Block Diagram

Back Panel

Figure 3: VRT336A Back Panel

Specifications

Architecture		
Physical	Dimensions	3U RTM, 1" pitch
Configuration		
Power	VRT336A	3W
Rear Panel	Connectors	VHDCI Connector which has all the clock Inputs/outputs and the GPIO Dual GbE, RJ-45 RS-232
VPX Interfaces	Slot Profiles	See Ordering Options
	Backplane	RP0: Power RP1: Dual GbE; MLVDS clocks; LVDS clocks RP2: LVDS Clocks and the single ended GPIO
	Power Supplies	RP0: VS1 = 12V
Other		
MTBF	MIL Hand book 217-F@ TBD hrs	
Certifications	Designed to meet FCC, CE and UL certifications, where applicable	
Standards	VadaTech is certified to both the ISO9001:2000 and AS9100B:2004 standards	
Warranty	Two (2) years, see VadaTech Terms and Conditions	

INTEGRATION SERVICES AND APPLICATION-READY PLATFORMS

VadaTech has a full ecosystem of OpenVPX, ATCA and MTCA products including chassis platforms, shelf managers, AMC modules, Switch and Payload Boards, Rear Transition Modules (RTMs), Power Modules, and more. The company also offers integration services as well as pre-configured Application-Ready Platforms. Please contact VadaTech Sales for more information.

Ordering Options

VRT336A – A00-000-GHJ

A = GbE PHY connection from P1 0 = From Ports 15 and 16 1 = From Ports 1 and 2 2 = From Ports 3 and 4	G = Applicable Slot Profiles 0 = 5 HP
	H = Environmental See Environmental Specification
	J = Conformal Coating 0 = No coating 1 = Humiseal 1A33 Polyurethane 2 = Humiseal 1B31 Acrylic

Environmental Specification

Option H	Air Cooled			Conduction Cooled	
	H = 0	H = 1	H = 2	H = 3	H = 4
Operating Temperature	AC1* (0°C to +55°C)	AC3* (-40°C to +70°C)	CC1* (0°C to +55°C)	CC3* (-40°C to +70°C)	CC4* (-40°C to +85°C)
Storage Temperature	C1* (-40°C to +85°C)	C3* (-50°C to +100°C)	C1* (-40°C to +85°C)	C3* (-50°C to +100°C)	C3* (-50°C to +100°C)
Operating Vibration	V2* (0.04 g2/Hz max)	V2* (0.04 g2/Hz max)	V3* (0.1 g2/Hz max)	V3* (0.1 g2/Hz max)	V3 (0.1 g2/Hz max)
Storage Vibration	OS1* (20g)	OS1* (20g)	OS2* (40g)	OS2* (40g)	OS2* (40g)
Humidity	95% non-condensing	95% non-condensing	95% non-condensing	95% non-condensing	95% non-condensing

Notes: *Nomenclature per ANSI/VITA 47. Contact local sales office for conduction cooled (H = 2, 3, 4)

Related Products

VPX518



- 3U FPGA carrier for FPGA Mezzanine Card (FMC) per VITA 46 and VITA 57
- Xilinx Zynq-7000 FPGA in FFG-900 package (XC7Z100 or XC7Z045)
- Protocols such as PCIe, SRIO, 10GbE/40Gbe, etc. are FPGA programmable

VPX754



- 3U VPX module Intel 5th Generation Xeon D-1577, D-1548 or D-1520 (Broadwell) System-on-Chip (SoC)
- PCIe Gen3 dual x4 or single x8
- Front-panel video out via micro HDMI

VTX870



- Open VPX benchtop development platform
- Dedicated Switch/management slot
- Up to five 3U VPX payload slots

Contact

VadaTech Corporate Office

198 N. Gibson Road, Henderson, NV 89014

Phone: +1 702 896-3337 | Fax: +1 702 896-0332

Asia Pacific Sales Office

7 Floor, No. 2, Wenhua Street, Neihu District, Taipei 114, Taiwan

Phone: +886-2-2627-7655 | Fax: +886-2-2627-7792

VadaTech European Sales Office

VadaTech House, Bulls Copse Road, Southampton, SO40 9LR

Phone: +44 2380 016403

info@vadatech.com | www.vadatech.com

Choose VadaTech

We are technology leaders

- First-to-market silicon
- Constant innovation
- Open systems expertise

We commit to our customers

- Partnerships power innovation
- Collaborative approach
- Mutual success

We deliver complexity

- Complete signal chain
- System management
- Configurable solutions

We manufacture in-house

- Agile production
- Accelerated deployment
- AS9100 accredited



vadatech
THE POWER OF VISION

Trademarks and Disclaimer

The VadaTech logo is a registered trademark of VadaTech, Inc. Other registered trademarks are the property of their respective owners. AdvancedTCA™ and the AdvancedMC™ logo are trademarks of the PCI Industrial Computers Manufacturers Group. All rights reserved. Specification subject to change without notice.

© 2019 VadaTech Incorporated. All rights reserved.
DOC NO. 4FM737-12 REV 01 | VERSION 1.2 – APR/24