

VRT703B

Rear I/O for VPX703, VPX RTM



VRT703B

Key Features

- 3U RTM per VITA 46
- Dual USB
- RS-232 from management and payload
- Dual GbE
- mSATA drive
- Dual 1553 I/O
- JTAG

Benefits

- Electrical, mechanical, software, a expertise in house
- Full system supply from industry leader
- AS9100 and ISO9001 certified company

OpenVPX™



vadatech
THE POWER OF VISION



VRT703B

The VRT703B is a 3U VPX Rear Transition Module providing I/O expansion for use with the VPX703.

The VRT703B provides an easy access to the I/O ports routed to the P1 and P2 connectors of the VPX703. These includes dual USB, RS-232 for both management and payload, dual 1553 ports, JTAG for CPU, dual GbE as well as mSATA socket for storage.

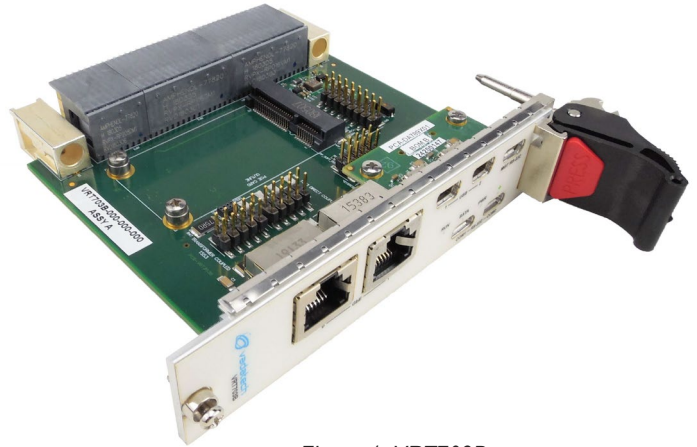


Figure 1: VRT703B

Block Diagram

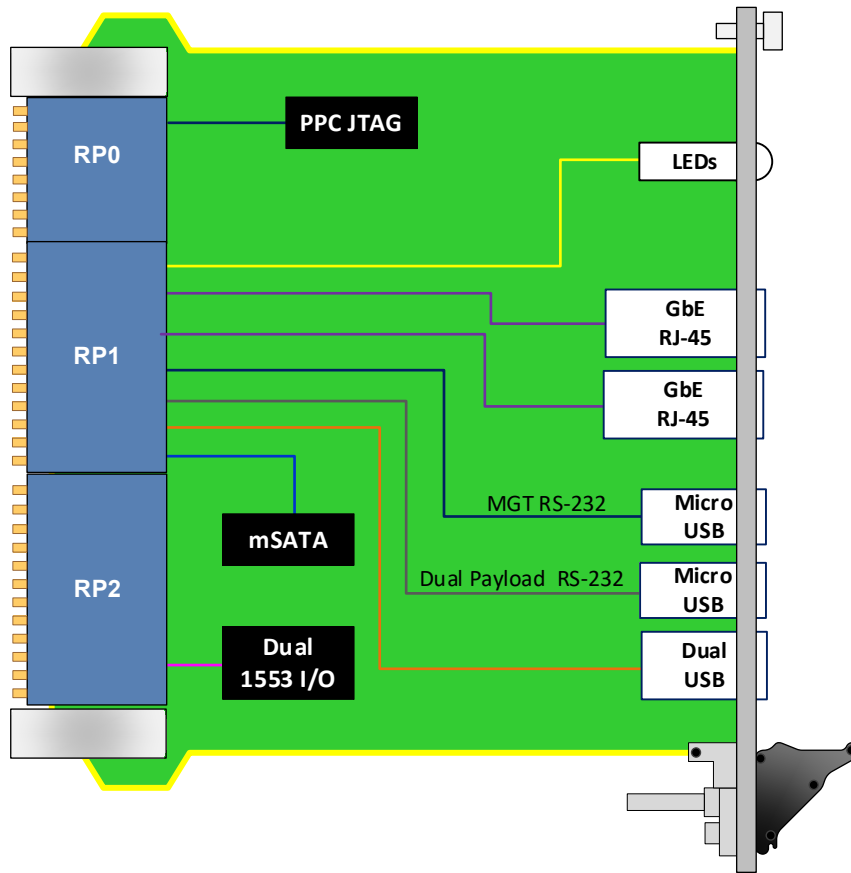


Figure 2: VRT703B Functional Block Diagram

Specifications

Architecture		
Physical	Dimensions	3U RTM, 1" pitch
Configuration		
Power		1W
Rear Panel	Connectors	RS-232 via Micro-USB, Dual USB via min-USB, mSATA socket Dual GbE, RJ-45 1553 I/O is on 0.1" within the module
VPX Interfaces	Slot Profiles	See Ordering Options
	Backplane	RP0: Power RP1: Dual GbE, RS-232, USB, 1553, SATA RP2: I/O
	Power Supplies	RP0: VS2/VS3 = +5V/+3.3V
Other		
MTBF		MIL Hand book 217-F@ TBD hrs
Certifications		Designed to meet FCC, CE and UL certifications, where applicable
Standards		VadaTech is certified to both the ISO9001:2015 and AS9100D standards
Warranty		Two (2) years, see VadaTech Terms and Conditions

INTEGRATION SERVICES AND APPLICATION-READY PLATFORMS

VadaTech has a full ecosystem of OpenVPX, ATCA and MTCA products including chassis platforms, shelf managers, AMC modules, Switch and Payload Boards, Rear Transition Modules (RTMs), Power Modules, and more. The company also offers integration services as well as pre-configured Application-Ready Platforms. Please contact VadaTech Sales for more information.

Ordering Options

VRT703B – A00-000-GHJ

A = mSATA Capacity		G = Applicable Slot Profiles
0 = No mSATA 1 = 1 TB 2 = 2 TB 3 = Reserved		0 = 5 HP
		H = Environmental
		See Environmental Specification
		J = Conformal Coating
		0 = No coating 1 = Humiseal 1A33 Polyurethane 2 = Humiseal 1B31 Acrylic

Environmental Specification

Option H	Air Cooled			Conduction Cooled	
	H = 0	H = 1	H = 2	H = 3	H = 4
Operating Temperature	AC1* (0°C to +55°C)	AC3* (-40°C to +70°C)	CC1* (0°C to +55°C)	CC3* (-40°C to +70°C)	CC4* (-40°C to +85°C)
Storage Temperature	C1* (-40°C to +85°C)	C3* (-50°C to +100°C)	C1* (-40°C to +85°C)	C3* (-50°C to +100°C)	C3* (-50°C to +100°C)
Operating Vibration	V2* (0.04 g2/Hz max)	V2* (0.04 g2/Hz max)	V3* (0.1 g2/Hz max)	V3* (0.1 g2/Hz max)	V3 (0.1 g2/Hz max)
Storage Vibration	OS1* (20g)	OS1* (20g)	OS2* (40g)	OS2* (40g)	OS2* (40g)
Humidity	95% non-condensing	95% non-condensing	95% non-condensing	95% non-condensing	95% non-condensing

Notes:

*Nomenclature per ANSI/VITA 47. Contact local sales office for conduction cooled (H = 2, 3, 4)

Related Products

VPX518



- 3U FPGA carrier for FPGA Mezzanine Card (FMC) per VITA 46 and VITA 57
- Xilinx Zynq-7000 FPGA in FFG-900 package (XC7Z100 or XC7Z045)
- Protocols such as PCIe, SRIO, 10GbE/40Gbe, etc. are FPGA programmable

VPX754



- 3U VPX module Intel 5th Generation Xeon D-1577, D-1548 or D-1520 (Broadwell) System-on-Chip (SoC)
- PCIe Gen3 dual x4 or single x8
- Front-panel video out via micro HDMI

VTX870



- Open VPX benchtop development platform
- Dedicated Switch/management slot
- Up to five 3U VPX payload slots

Contact

VadaTech Corporate Office

198 N. Gibson Road, Henderson, NV 89014

Phone: +1 702 896-3337 | Fax: +1 702 896-0332

Asia Pacific Sales Office

7 Floor, No. 2, Wenhui Street, Neihu District, Taipei 114, Taiwan

Phone: +886-2-2627-7655 | Fax: +886-2-2627-7792

VadaTech European Sales Office

VadaTech House, Bulls Copse Road, Southampton, SO40 9LR

Phone: +44 2380 016403

info@vadatech.com | www.vadatech.com

Choose VadaTech

We are technology leaders

- First-to-market silicon
- Constant innovation
- Open systems expertise

We commit to our customers

- Partnerships power innovation
- Collaborative approach
- Mutual success

We deliver complexity

- Complete signal chain
- System management
- Configurable solutions

We manufacture in-house

- Agile production
- Accelerated deployment
- AS9100 accredited



vadatech
THE POWER OF VISION

Trademarks and Disclaimer

The VadaTech logo is a registered trademark of VadaTech, Inc. Other registered trademarks are the property of their respective owners. AdvancedTCA™ and the AdvancedMC™ logo are trademarks of the PCI Industrial Computers Manufacturers Group. All rights reserved. Specification subject to change without notice.

© 2020 VadaTech Incorporated. All rights reserved.
DOC NO. 4FM737-12 REV 01 | VERSION 1.1 – DEC/21