



### KEY FEATURES

- 24-channel isolated input
- Single-width, half-height\* (mid-height and full-height options available)
  - \*Patent-pending design allows standard front panel I/O connectivity in a half-height AMC compliant form factor
- Programmable debounce time is software-controlled on a channel-by-channel basis
- 1.0 ms measurement interval
- Change-of-State (COS) selections:
  - Disabled
  - Rising edge, low-to-high transition
  - Falling edge, high-to-low transition
  - Level sensitive
- Interrupt levels are user-selectable
- AMC.1 compliant
- IPMI 2.0 compliant
- RoHS compliant
- OS support for:
  - Linux
  - Windows
  - Solaris
  - VxWorks

The AMC091 is a single-width, half-height\* (mid-height and full-height options are available) AdvancedMC™ (AMC) 24 Channel Isolated Digital Input Board. The AMC091 has twelve-voltage source +5 to 66V opto-isolated channels and twelve-contact sense +5 to 66V opto-isolated channels.

The digital inputs can be simultaneously used in more than one of several modes. For example, each input channel can be used to periodically read the current state of a contact closure, and to count the number of times that the closure was opened or closed over a period of time (debounce time).

Each input channel is independent and is processed separately, so activity on one channel has no effect on other channels. A change of state on one channel can be detected and stored while the debouncer is timing on another channel.

VadaTech can modify this product to meet special customer requirements without NRE (minimum order placement is required).

**AdvancedMC™**

# AMC 24 Channel Isolated Input Module

## SPECIFICATIONS

Architecture		
Physical	Dimensions	Single-Width, Half-Height (with Mid or Full-Height options)
		Width: 2.89 in. (73.5 mm)
		Depth: 7.11 in. (180.6 mm)
Type	AMC Input	24 channel optically-isolated inputs
		Twelve voltage-source +5 to 66V opto-isolated channels
		Twelve contact-sense +5 to 66V opto-isolated channels
Standards		
AMC	Type	AMC.1
Module Management	IPMI	IPMI Version 2.0
PCIe	Lanes	x4
Configuration		
Power	AMC091	3.5W
Environmental	Temperature	Operating Temperature: 0° to 65° C (Air flow requirement is to be greater than 200 LFM)
		Storage Temperature: -40° to +90° C
	Vibration	1G, 5-500Hz each axis
	Shock	30Gs each axis
Front Panel	Relative Humidity	5 to 95 percent, non-condensing
	Interface Connectors	51-Pin Micro DIN
	LEDs	IPMI Management Control
		Activity and Link
Mechanical	Hot Swap Ejector Handle	
Software Support	Operating Systems	Linux, Windows, Solaris and VxWorks
Other		
MTBF	MIL Spec 217-F > 273,000 Hrs.	
Certifications	Designed to meet FCC, CE and UL certifications where applicable	
Standards	VadaTech is certified to both the ISO9001:2000 and AS9100B:2004 standards	
Compliance	RoHS and NEBS	
Warranty	Two (2) years.	
Trademarks and Logos	The VadaTech logo is a registered trademark of VadaTech, Inc. Other registered trademarks are the property of their respective owners. AdvancedMC™ and the AdvancedTCA™ logo are trademarks of the PCI Industrial Computers Manufacturers Group. All rights reserved. Specification subject to change without notice.	
Notes	The Half-Height front panel is a patent-pending design. Contact your Sales representative for more information.	

# AMC 24 Channel Isolated Input Module

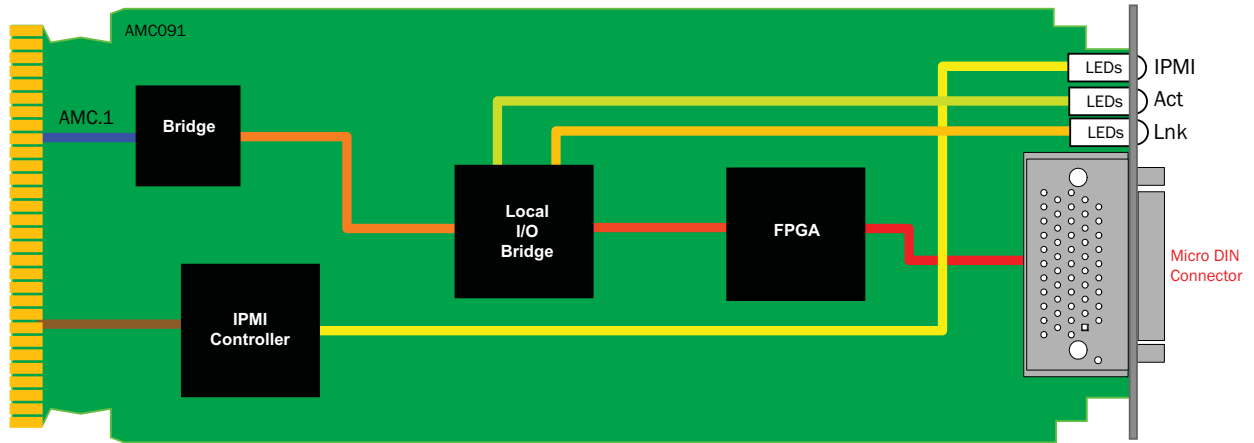


FIGURE 1. AMC091 Functional Block Diagram

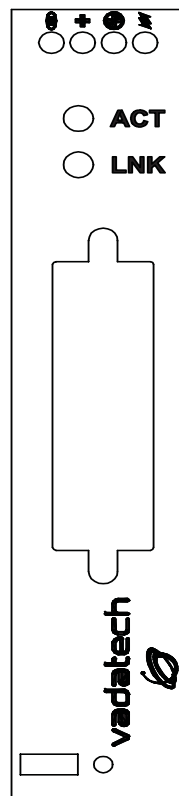


FIGURE 2. AMC091 Front Panel

# AMC 24 Channel Isolated Input Module

## ORDERING OPTIONS

AMC091 - 00C - 000 - OHJ

**C = Front Panel**

- 1 = Half-Height
- 2 = Mid-Height
- 3 = Full-Height

**H = Operating Temp**

- 0 = Commercial
- 1 = Industrial

**J = Conformal Coating**

- 0 = None
- 1 = Humiseal 1A33 Polyurethane
- 2 = Humiseal 1B31 Acrylic



Document No. 4FM430-05 Date: July 20 2007 Pass two

