

AMC100



KEY FEATURES

- Support for PMC and PrPMC modules
- 64-bit PCI-X @133MHz
- AMC.1 and AMC.2 compliant
- PCIe x4 lanes
- Transparent or Non-Transparent operating modes
- PMC J4 connector routed to front panel Mini-SCSI type connector or Gigabit transceiver to AMC.2
- IPMI 2.0 compliant Module Management Controller (MMC)
- 32-bit IPMI RISC processor
- IEEE Std P1386.1-2001 (PMC) compliant
- ANSI/VITA 32-2003 (PrPMC) compliant
- RoHS compliant
- OS support for:
 - Linux
 - Windows
 - Solaris
 - VxWorks

The AMC100 is a double-width, full-height module based on the AMC.1 Specification. The AMC100 allows PMC or PrPMCs to be installed in an AMC slot. The PMC/PrPMC PCI-X bus runs at 133MHz. The J4 connector of the PMC/PrPMC is routed to the front panel of the AMC module. For PMCs and PrPMCs that are PICMG 2.15 compliant, the Gigabit Ethernet ports are routed to the AMC connector per the AMC.2 specification. This modular approach allows an AdvancedTCA chassis to utilize the large numbers of PrPMC modules as well as PMC I/O modules that are available in the market. The AMC100 can be configured to run in non-transparent, transparent or root complex mode.

VadaTech can modify this product to meet special customer requirements without NRE (minimum order placement is required).

AdvancedMC™

AMC Site Carrier For PMC/PrPMC Modules

SPECIFICATIONS

Architecture			
Physical	Dimensions	Double-Width, Full-Height	
		Width: 5.85 in. (148.5 mm)	
		Depth: 7.11 in. (180.6 mm)	
Product Type	AMC Carrier	AMC site carrier for PMC/PrPMC modules	
Standards			
AMC	Type	AMC.1 and AMC.2	
Module Management	IPMI	IPMI Version 2.0	
PCIe	Lanes	x4	
Configuration			
Power	AMC100	3 Watts without PMC/PrPMCs	
	PMC/PrPMC Power	+3.3V @ 5A	
		+5V @ 5A	
Environmental	Temperature	Operating Temperature: 0° to 65° C (Air flow requirement is to be greater than 200 LFM)	
		Storage Temperature: -40° to +90° C	
	Vibration	1G, 5-500Hz each axis	
	Shock	30Gs each axis	
Front Panel	Relative Humidity	5 to 95 percent, non-condensing	
	Interface Connectors	Mini SCSI Type Connector	
		LEDs	IPMI Management Control
			PCIe x4 lanes
Mechanical	Hot Swap Ejector Handle		
Software Support	Operating Systems	Linux, Windows, Solaris and VxWorks	
Other			
MTBF	MIL Spec 217-F > 248,000 Hrs.		
Certifications	Designed to meet FCC, CE and UL certifications where applicable		
Standards	VadaTech is certified to both the ISO9001:2000 and AS9100B:2004 standards		
Compliance	PICMG 2.15, IEEE Std P1386.1-2001(PMC), ANSI/VITA 32-2003 (PrPMC), AMC.1, AMC.2 Specifications, RoHS and NEBS		
Warranty	Two (2) years		
Trademarks and Logos	The VadaTech logo is a registered trademark of VadaTech, Inc. Other registered trademarks are the property of their respective owners. AdvancedMC™ and the AdvancedTCA™ logo are trademarks of the PCI Industrial Computers Manufacturers Group. All rights reserved. Specification subject to change without notice.		

AMC Site Carrier For PMC/PrPMC Modules

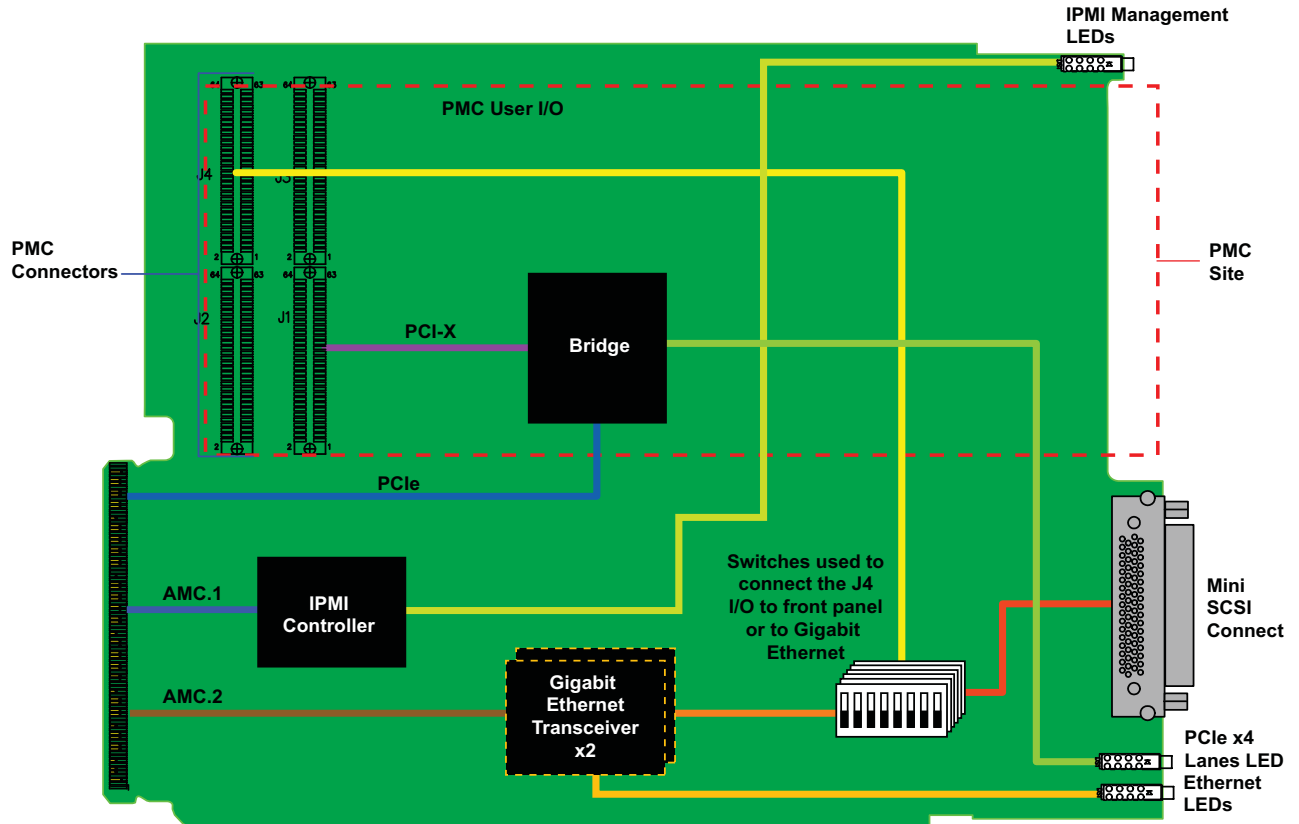


FIGURE 1. AMC100 Functional Block Diagram

AMC Site Carrier For PMC/PrPMC Modules

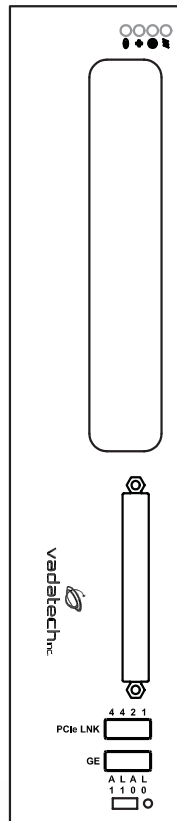


FIGURE 2. AMC100 Front Panel

ORDERING OPTIONS

AMC100 - 00C - 000 - 00J

J = Conformal Coating

- 0 = None
- 1 = Humiseal 1A33 Polyurethane
- 2 = Humiseal 1B31 Acrylic

C = Front Panel Height

- 0 = Full-height
- 1 = Mid-height