



KEY FEATURES

- AMC.1 compliant
- Mid-height and full-height options
- Four Gigabit Ethernet SFP ports supporting:
 - Copper (RJ-45)
 - Fiber SX (850 nm)
 - Fiber LX (1310 nm)
- PCIe x8 lanes
- IPMI 2.0 compliant
- RoHS compliant
- OS support for:
 - Linux
 - Windows
 - Solaris
 - VxWorks

The AMC205 is a four port Gigabit Ethernet AdvancedMC™ (AMC). VadaTech offers this product in a mid-height or full-height form factor based on the AMC.1 specification. The AMC205 provides four Gigabit Ethernet SFP ports accessible through the front panel. The ports have an option for either copper RJ-45 or fiber LC connectors. The LC connectors are available with either SX or LX transceivers. The SFP connectors allow the board to be uniquely configured to support a wide variety of system requirements.

Any combination of fiber or copper is allowed (i.e. 1 copper with 3 fiber, etc.).

VadaTech can modify this product to meet special customer requirements without NRE (minimum order placement is required).

AdvancedMC™

AMC Four Port Gigabit Ethernet Module w/ SFP Connectors

SPECIFICATIONS

Architecture		
Physical	Dimensions	Single-Width, Mid-Height (with Full-Height option)
		Width: 2.89 in. (73.5 mm)
		Depth: 7.11 in. (180.6 mm)
Type	AMC GbE	Four port Gigabit Ethernet w/SFP connectors
		10/100/1000 Mbps operation - Copper
		1000 Mbps operation - Fiber
		IP, TCP, and UDP checksum offloading capabilities
Ethernet Controller	Type	Two Intel 82571EB Dual Gigabit Ethernet controllers
Standards		
AMC	Type	AMC.1
Module Management	IPMI	IPMI Version 2.0
PCIe	Lanes	x8
Configuration		
Power	AMC205	8W
Environmental	Temperature	Operating Temperature: 0° to 65° C (Air flow requirement is to be greater than 200 LFM)
		Storage Temperature: -40° to +90° C
	Vibration	1G, 5-500Hz each axis
	Shock	30Gs each axis
	Relative Humidity	5 to 95 percent, noncondensing
Front Panel	Interface Connectors (See Ordering Options)	Any combination of copper or fiber is allowed (see ordering option)
		Fiber SFP in SX (850nm) or LX (1310 nm)
	LEDs	IPMI Management Control
		Four green Ethernet Link/Activity LEDs (one per port)
	Mechanical	Hot Swap Ejector Handle
Conformal Coating	Humiseal 1A33 Polyurethane Conformal Coating	
	Humiseal 1B31 Acrylic Conformal Coating	
Software Support	Operating Systems	Linux, Windows, Solaris and VxWorks
Other		
MTBF	MIL Spec 217-F > 287,000 Hrs.	
Certifications	Designed to meet FCC, CE and UL certifications where applicable	
Standards	VadaTech is certified to both the ISO9001:2000 and AS9100B:2004 standards	
Compliance	RoHS and NEBS	
Warranty	Two (2) years	
Trademarks and Logos	The VadaTech logo is a registered trademark of VadaTech, Inc. Other registered trademarks are the property of their respective owners. AdvancedMC™ and the AdvancedTCA™ logo are trademarks of the PCI Industrial Computers Manufacturers Group. All rights reserved. Specification subject to change without notice.	

AMC Four Port Gigabit Ethernet Module w/SFP Connectors

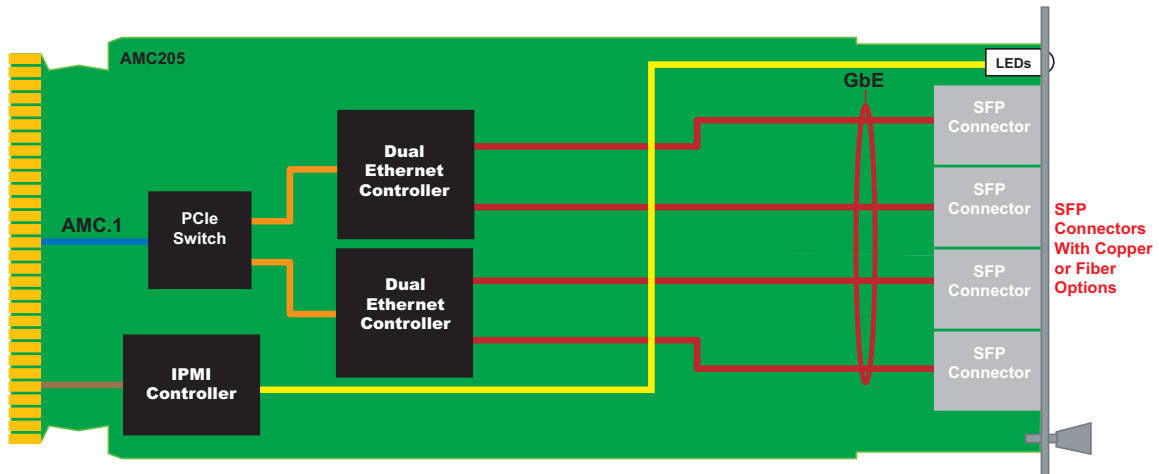


FIGURE 1. AMC205 Functional Block Diagram

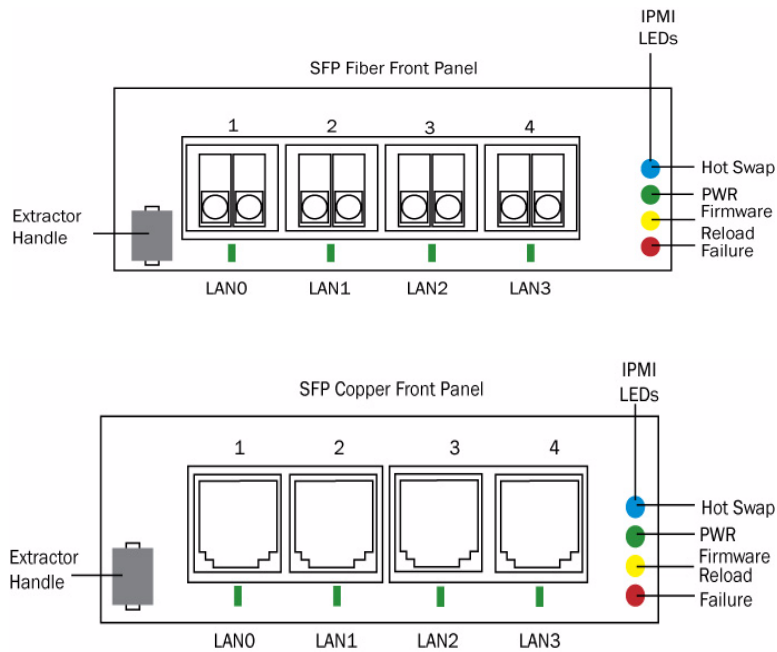


FIGURE 2. AMC205 Front Panels

AMC Four Port Gigabit Ethernet Module w/SFP Connectors

ORDERING OPTIONS

AMC205 - AOC - 000 - 00J

A = Front Panel Interface

- 0 = None (No Transceiver)
- 1 = Copper RJ-45
- 2 = Fiber LC/SX (850nm)
- 3 = Fiber LC/LX (1310nm)
- 4 = Reserved
- 5 = Reserved
- 6 = Combination (contact Sales)

C = Front Panel Height

- 1 = Reserved
- 2 = Mid-Height
- 3 = Full-Height

J = Conformal Coating

- 0 = None
- 1 = Humiseal 1A33 Polyurethane
- 2 = Humiseal 1B31 Acrylic



Document No. _____ Date: July 20 2007

