



KEY FEATURES

- AMC.1 and AMC.2
- Single-width, mid-height (full-height option available)
- Cavium OCTEON CN56xx/CN57xx Multi-Core MIPS64 Processor
- Options for 8 to 12 processor cores
- Options for 600Mhz to 1Ghz speed grade
- DDR2 with ECC memory
- Single SFP+ socket supporting 10GbE
- Single XAUI to Ports 7 to 11
- PCIe x4
- IPMI 2.0 compliant
- RoHS compliant
- OS support for:
 - Linux
 - Windows
 - Solaris
 - VxWorks

The AMC221 is a two port 10-Gigabit Ethernet (10GbE) AdvancedMC™ (AMC) module which includes an on-board line rate multi-core packet processor. VadaTech offers this product in a mid-height form factor based on the AMC.1 specification (option full-height design, see ordering options).

The AMC221 is based around the Cavium OCTEON CN56xx/CN57xx processor which has been specifically designed to intelligently process Ethernet packets at line rate. The processor can be loaded via the PCIe interface or via an optional flash memory. The number of processor cores, speed grade, and amount of DDR2 memory is customizable based on customer needs.

The SDK for the processor as well as additional software stacks are available from Cavium or third party. VadaTech also provides the AMC221 pre-configured as a TCP Offload Engine (TOE) to provide socket layer services to a host processor via PCIe. This can dramatically reduce the CPU overhead for TCP packet processing on embedded CPUs. Various flavors of embedded Linux as well as VxWorks are supported.

VadaTech can modify this product to meet special customer requirements without NRE (minimum order placement is required).

AdvancedMC™

AMC Packet Processor for Dual 10GbE and/or TOE

SPECIFICATIONS

Architecture		
Physical	Dimensions	Mid-Height (Full-Height option)
		Width: 2.89 in. (73.5 mm)
		Depth: 7.11 in. (180.6 mm)
Type	AMC 10 GbE	Dual port 10GbE
Standards		
AMC	Type	AMC.1 and AMC.2
Module Management	IPMI	IPMI Version 2.0
PCIe	Lanes	x4
Configuration		
Power	AMC221	~25W (CPU Dependent)
Environmental	Temperature	Operating Temperature: 0° to 60° C
		Storage Temperature: -40° to +90° C
	Vibration	1G, 5-500Hz each axis
	Shock	30Gs each axis
Front Panel	Relative Humidity	5 to 95 percent, non-condensing
	Interface Connectors	Dual SFP+, RJ-45. dual micro USB connectors for USB and RS-232
	LEDs	IPMI Management Control Activity/Link and two user defined
	Mechanical	Hot Swap Ejector Handle
Software Support	Operating Systems	Linux, Windows, Solaris and VxWorks
Other		
MTBF	MIL Spec 217-F >TBD	
Certifications	Designed to meet FCC, CE and UL certifications where applicable	
Standards	VadaTech is certified to both the ISO9001:2000 and AS9100B:2004 standards	
Compliance	RoHS and NEBS	
Warranty	Two (2) years	
Trademarks and Logos	The VadaTech logo is a registered trademark of VadaTech, Inc. Other registered trademarks are the property of their respective owners. AdvancedMC™ and the AdvancedTCA™ logo are trademarks of the PCI Industrial Computers Manufacturers Group. All rights reserved. Specification subject to change without notice.	

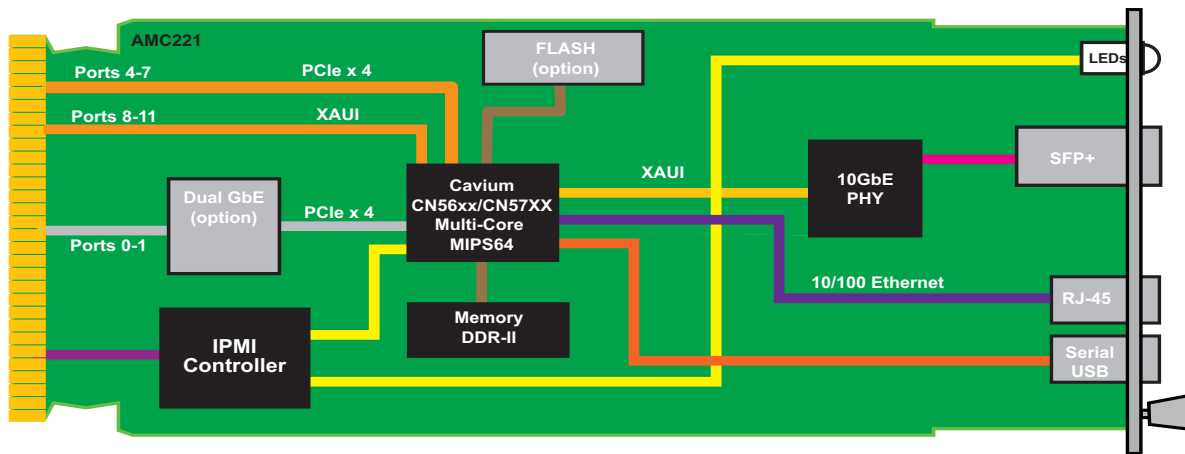


FIGURE 1. AMC221 Functional Block Diagram

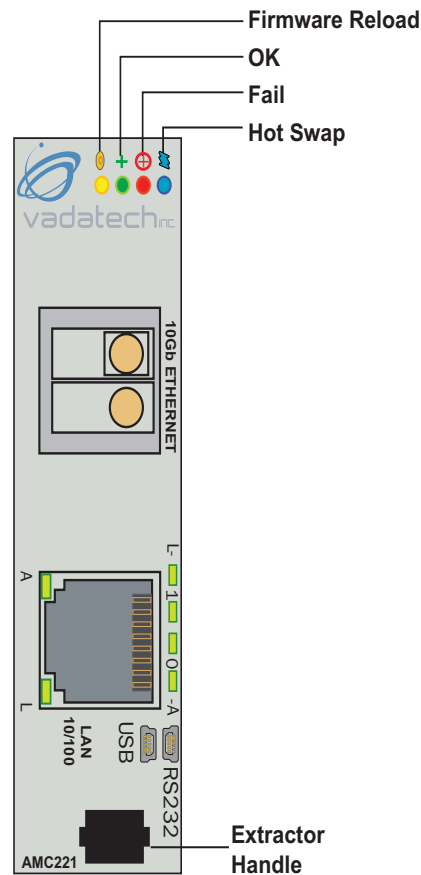


FIGURE 2. AMC221 Front Panel

ORDERING OPTIONS

AMC221 - ABC - DEF - GHJ*

A = CPU

- 1 = CN56xx (CP)
- 2 = CN57xx (CP)
- 3 = CN56xx (NSP)
- 4 = CN57xx (NSP)

B = Number of CPU Cores

- 1 = Reserved
- 2 = 8
- 3 = 10
- 4 = 12

C = CPU Speed

- 1 = 600MHz
- 2 = 750MHz
- 3 = Reserved
- 4 = Reserved

D = Memory W/ECC

- 1 = 1GB
- 2 = 2GB
- 3 = 4GB

E = Flash

- 0 = None
- 1 = Reserved
- 2 = Reserved
- 3 = 64MB
- 4 = 128MB

F = Dual GbE

- 0 = None
- 1 = Installed

G = SFP+ Transceivers

- 0 = None
- 1 = 10GBASE-SR
- 2 = Reserved
- 3 = 10GBASE-LRM
- 4 = 10GBASE-LR

H = Pre-configured firmware

- 0 = None
- 1 = TOE
- 2 = Reserved
- 3 = Reserved
- 4 = Reserved

J = Front Panel Height

- 1 = Reserved
- 2 = Mid-Height
- 3 = Full-Height

*Contact VadaTech Sales for Conformal Coating

