



### KEY FEATURES

- AMC.1 compliant
- PCIe x4 lanes
- Single-width, half-height (Mid-Height and Full-Height options available)
- Eight RS-232 serial ports using a high-density connector
- Optional adapter cable to convert the high-density connector to standard DB-9 connectors, one per port (see ordering options)
- IPMI 2.0 compliant
- RoHS compliant
- OS support for:
  - Linux
  - Windows
  - Solaris
  - VxWorks

The AMC300 provides eight ports of RS-232 with full hardware modem support (RX, TX, RTS, CTS, DTR, DSR, CD, and RI) in a single-width, half-height AdvancedMC™ (AMC) form factor. All eight ports are available through the front panel with a high-density connector. VadaTech offers an octopus adapter cable to convert this high-density connector to multiple standard DB-9 connectors.

For a different front panel I/O connector, contact Sales.

VadaTech can modify this product to meet special customer requirements without NRE (minimum order placement is required).

**AdvancedMC™**

# AMC Eight Port RS-232 Serial Adapter

## SPECIFICATIONS

Architecture		
Physical	Dimensions	Single-Width, Half-Height (with Mid or Full-Height options)
		Width: 2.89 in. (73.5 mm)
		Depth: 7.11 in. (180.6 mm)
Type	AMC Serial	RS-232
	8 Ports	Full hardware modem support (RX, TX, RTS, CTS, DTR, DSR, CD, and RI)
Standards		
AMC	Type	AMC.1
Module Management	IPMI	IPMI Version 2.0
PCIe	Lanes	x4
Configuration		
Power	AMC300	3.5W
ESD	Human Body Model	Up to ±15 kV
Environmental	Temperature	Operating Temperature: 0° to 65° C (Air flow requirement is to be greater than 200 LFM)
		Storage Temperature: -40° to +90° C
	Vibration	1G, 5-500Hz each axis
	Shock	30Gs each axis
	Relative Humidity	5 to 95 percent, non-condensing
Front Panel	Interface Connectors (See Ordering Options)	High-density SCSI type connector
		Micro 68-Pin SCSI to (8) DB9 Male connectors
	LEDs	IPMI Management Control
		Activity
	Mechanical	Hot Swap Ejector Handle
Conformal Coating	Humiseal 1A33 Polyurethane Conformal Coating	
	Humiseal 1B31 Acrylic Conformal Coating	
Software Support	Operating Systems	Linux, Windows, Solaris and VxWorks
Other		
MTBF	MIL Spec 217-F@ 292,000 Hrs.	
Certifications	Designed to meet FCC, CE and UL certifications where applicable	
Standards	VadaTech is certified to both the ISO9001:2000 and AS9100B:2004 standards	
Compliance	RoHS and NEBS	
Warranty	Two (2) years.	
Trademarks and Logos	The VadaTech logo is a registered trademark of VadaTech, Inc. Other registered trademarks are the property of their respective owners. AdvancedMC™ and the AdvancedTCA™ logo are trademarks of the PCI Industrial Computers Manufacturers Group. All rights reserved. Specification subject to change without notice.	

# AMC Eight Port RS-232 Serial Adapter

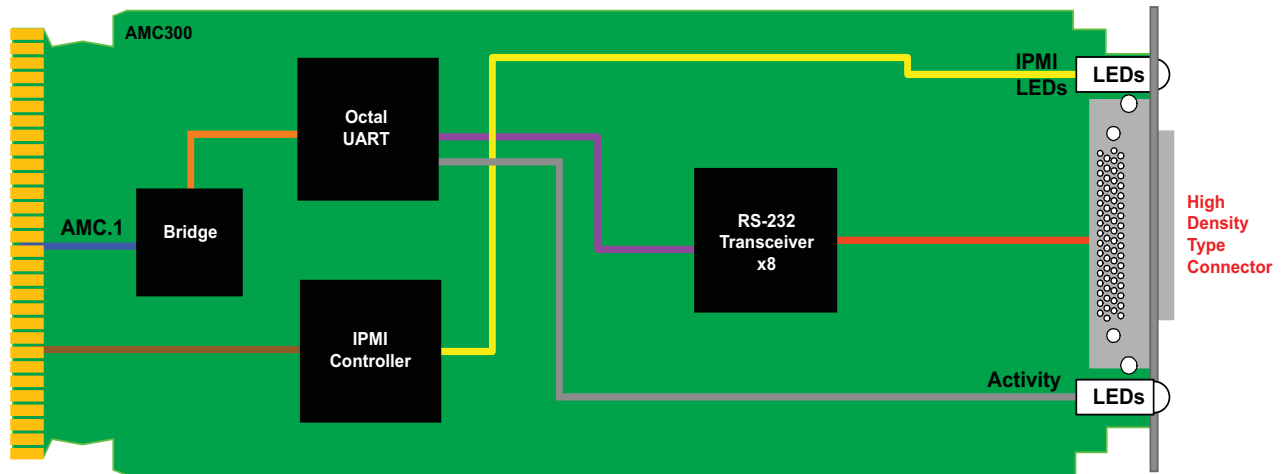


FIGURE 1. AMC300 Functional Block Diagram

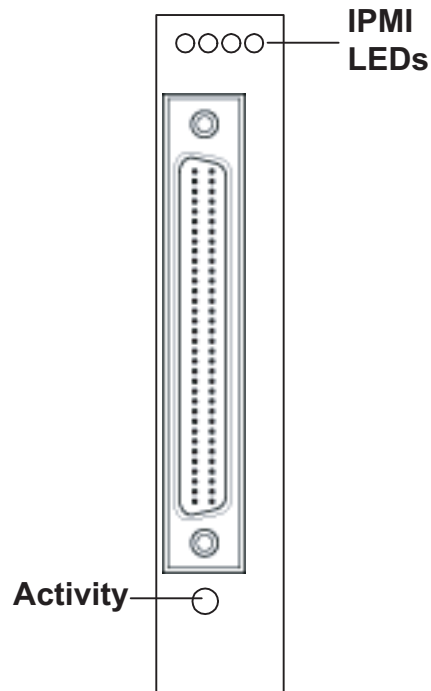
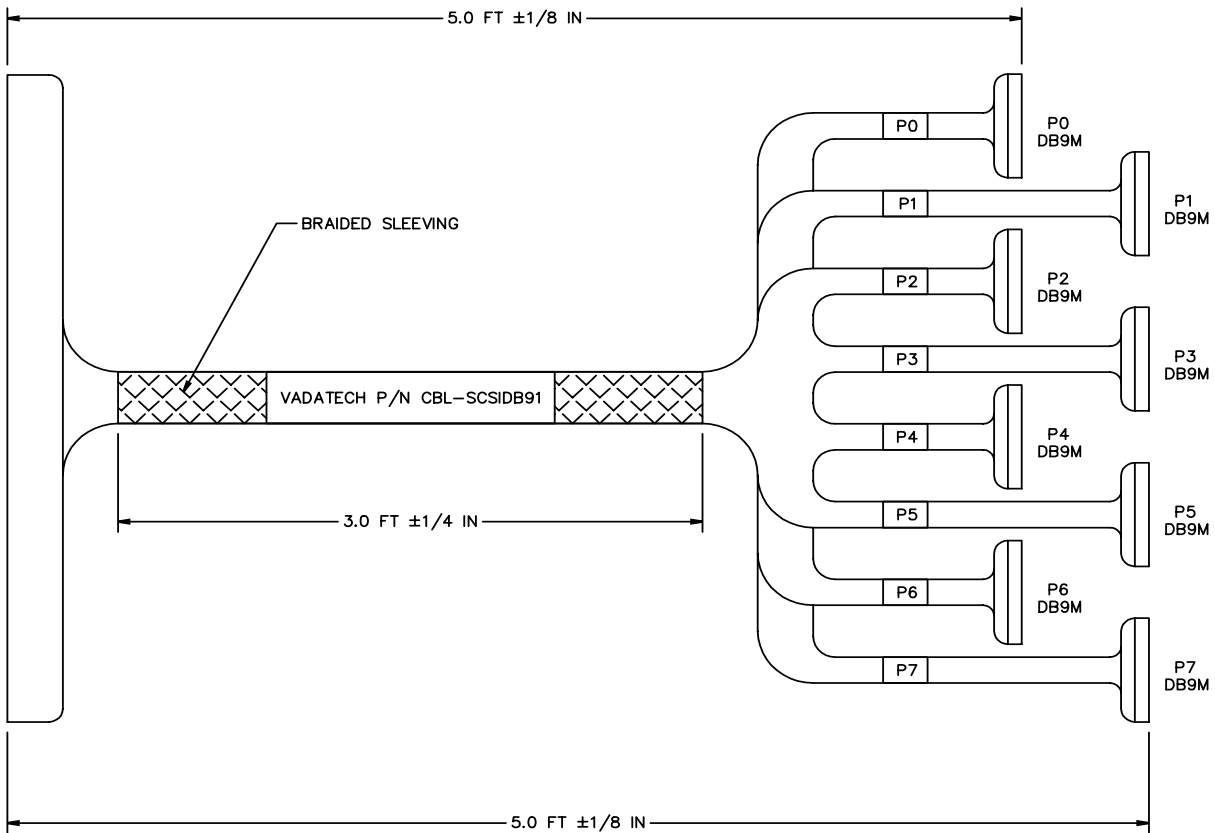


FIGURE 2. AMC300 Front Panel

# AMC Eight Port RS-232 Serial Adapter



**FIGURE 3.** Adapter Cable

## ORDERING OPTIONS

AMC300 - AOC - 000 - OHJ

### A = Front Panel Interface

- 1 = With adapter cable
- 2 = Without adapter cable

### C = Front Panel Height

- 1 = Half-Height
- 2 = Mid-Height
- 3 = Full-Height

### H = Operating Temp

- 0 = Commercial
- 1 = Reserved
- 2 = Industrial

### J = Conformal Coating

- 0 = None
- 1 = Humiseal 1A33 Polyurethane
- 2 = Humiseal 1B31 Acrylic