



KEY FEATURES

- Based on ATI's M22 Mobility Radeon x300 graphics processor chipset
- Provides two separate high-performance DVI or VGA Channels
- AMC.1 compliant
- PCIe x4 lanes
- Single-width, mid-height or full-height (see ordering options)
- Flexible and easy-to-use interface for multiple display settings
- Support of the latest high-resolution and wide-screen displays such as WUXGA (1920x1200) and QXGA (2048x1536)
- 165MHz integrated TMDS transmitter, for support of DVI digital flat panels up to UXGA resolution (1600x1200)
- Optional "Y" adapter cable to convert the LFH connector to DVI-I connectors and DVI-I to HD15
- IPMI 2.0 compliant
- RoHS compliant
- OS support for:
 - Linux
 - Windows
 - Solaris
 - VxWorks

The AMC340 is designed to meet the high performance real-world graphics needs of Military, Industrial and Telecom applications. The AMC340 is one of the fastest and most advanced, high-performance 2D and 3D graphics processors available for the AMC embedded market. The board features ATI's M22 Mobility Radeon x300 graphics processor chipset which provides dual-channel DVI/VGA support with up to 32Mbyte of embedded video memory. There is display mode support for screen resolutions up to 2048x1536. The AMC340 is AMC.1 compliant and is available in a single-width, mid or full-height AMC form factor. I/O connectivity is via an LFH front panel connector.

VadaTech can modify this product to meet special customer requirements without NRE (minimum order placement is required).

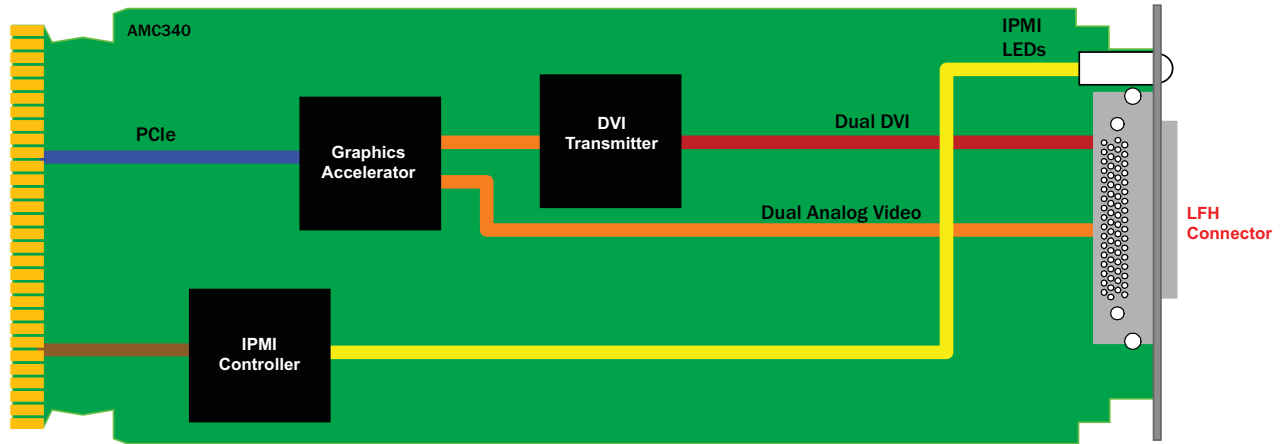
AdvancedMC™

AMC Dual DVI/VGA Video Adapter

SPECIFICATIONS

Architecture		
Physical	Dimensions	Single-Width, Mid-Height (with Full-Height option)
		Width: 2.89 in. (73.5 mm)
		Depth: 7.11 in. (180.6 mm)
Type	AMC Video	DVI or VGA Video Adapter
	Dual Ports	Dual ports using "Y" Adapter Cable, either DVI or VGA (see ordering options)
	Video Resolution	Screen resolutions up to 2048x1536
	Memory	32 Mbyte of DDR memory
Standards		
AMC	Type	AMC.1
Module Management	IPMI	IPMI Version 2.0
PCIe	Lanes	x4
Configuration		
Power	AMC340	4W
Environmental	Temperature	Operating Temperature: 0° to 65° C (Air flow requirement is to be greater than 200 LFM)
		Storage Temperature: -40° to +90° C
	Vibration	1G, 5-500Hz each axis
	Shock	30Gs each axis
Front Panel	Relative Humidity	5 to 95 percent, non-condensing
	Interface Connector	Low Force Helix (LFH) 60-pin connector
	Adapter	LFH to two DVI-I or LFH to two standard HD15 connectors (see notes)
	LEDs	IPMI Management Control
	Mechanical	Hot Swap Ejector Handle
Software Support	Operating Systems	Linux, Windows, Solaris and VxWorks
Other		
MTBF	MIL Spec 217-F > 209,000 Hrs.	
Certifications	Designed to meet FCC, CE and UL certifications where applicable	
Standards	VadaTech is certified to both the ISO9001:2000 and AS9100B:2004 standards	
Compliance	RoHS and NEBS	
Warranty	Two (2) years	
Trademarks and Logos	The VadaTech logo is a registered trademark of VadaTech, Inc. Other registered trademarks are the property of their respective owners..AdvancedMC™ and the AdvancedTCA™ logo are trademarks of the PCI Industrial Computers Manufacturers Group. All rights reserved. Specification subject to change without notice.	
Notes	<ol style="list-style-type: none"> 1. LFH to two DVI-I connectors "Y" adapter cable for digital displays (PN# CBL-LFH1DVI2) can be ordered separately. 2. LFH to two standard HD15 connectors "Y" adapter cable for use with analog displays (PN# CBL-LFH1VGA2) can be ordered separately. 	

AMC Dual DVI/VGA Video Adapter



Note: A "Y" adapter cable is needed to take advantage of the dual displays. See ordering options for details.

FIGURE 1. AMC340 Functional Block Diagram

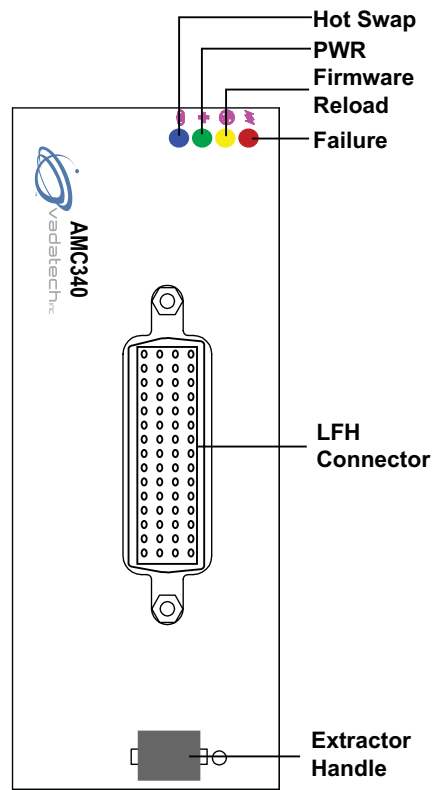


FIGURE 2. AMC340 Front Panel

AMC Dual DVI/VGA Video Adapter

DISPLAY MODES and RESOLUTIONS

2D Display Modes

Monitor Resolution	Hz
640 x 480	200
800 x 600	200
1024 x 768	200
1152 x 864	200
1280 x 1024	160
1600 x 1200	120
1920 x 1200 (16x9)	120
1920 x 1200	100
1920 x 1440	90
2048 x 1536	85

Note: Resolutions are limited by the performance of the attached monitor.

3D Resolutions

Maximum 3D Resolution	
65 K Colors	2048 x 1536
16.7 M Colors	2048 x 1536

ORDERING OPTIONS

AMC340 - ABC - 0 0 0 - 0 0 J

A = Memory

- 1 = 32 Mbyte of DDR memory
- 2 = Reserved

B = Adapter Cables (See Cable Notes)

- 1 = No cable adapter
- 2 = LFH to two DVI-I connector adapter ("Y" Cable, Note 1)
- 3 = LFH to two VGA connector adapter ("Y" Cable, Note 2)

C = Front Panel Height

- 1 = Reserved
- 2 = Mid-Height
- 3 = Full-Height

J = Conformal Coating

- 0 = None
- 1 = Humiseal 1A33 Polyurethane
- 2 = Humiseal 1B31 Acrylic

Document No _____ Date: December 11 2007

