

# AMC608



## KEY FEATURES

- Single-width, mid-height (full-height option available)
- PCIe x4 Lane Gen2 (5.0 Gb/s per lane)
- 2.5" SAS/SATA HDD
- VGA Interface with 128MB of Memory
- Resolution @ 1920x1200
- Two USB 2.0 ports @ 480Mbits/s
- AMC.1 and AMC.3 compliant
- IPMI 2.0 compliant
- RoHS compliant
- OS support for:
  - Linux
  - Windows
  - Solaris
  - VxWorks

The AMC608 is a multi I/O adapter in the Advanced Mezzanine Card (AMC) form factor. The AMC608 combines a 2.5" SAS/SATA HDD, Graphic and USB in a single-width, mid-height AMC form factor.

The AMC608 is AMC.1 and AMC.3 compliant. The PCIe interface is Gen2 (each lane runs at 5Gb/s).

The SATA hard disk drive can support data transfer rates of over 100 Mbyte/s and provides up to 320 GB of storage capacity.

The AMC608 is also available with a Solid State Flash drive or SAS Drive. The SAS drive have transfer rate of 3Gbps.

VadaTech can modify this product to meet special customer requirements without NRE (minimum order placement is required).

**AdvancedMC™**

# AMC 2.5" SAS/SATA, Graphics and USB

## SPECIFICATIONS

Architecture		
Physical	Dimensions	Single-Width, Mid-Height (Full Height option)
		Width: 2.89 in. (73.5 mm)
		Depth: 7.11 in. (180.6 mm)
Product Type	AMC Multi I/O	Graphic resolution @ 1920x1200 with 128Mbytes of Memory
		USB 2.0 @ 480Mbit/s
		2.5" SAS/SATA, Graphic and USB
		Optional Solid State Disk drive (contact Sales for capacity and availability)
		SATA 5400 RPM (with an option for 7200 RPM drive), <12ms average seek time
		SATA up to 300 Gbytes Hard Drive Capacity, 16 Mbyte buffer
		SATA 150 Mbyte/s transfer rate
		SAS up to 146Gbyte Hard Drive Capacity
SAS 10,025 RPM, < 4.5 ms average seek time		
Standards		
AMC	Type	AMC.1 and AMC.3
Module Management	IPMI	IPMI Version 2.0
PCIe	Lanes	x4 Gen2
Configuration		
Power	AMC608	8W Typical
Environmental	Temperature	Operating Temperature: 0° to 60° C (Air flow requirement is to be greater than 200 LFM)
		Storage Temperature: -40° to +70° C
	Vibration	Operating 9.8 m/s <sup>2</sup> (1.0G), 5-500Hz
	Shock	Operating 325G/2ms, 160G/1ms
	Relative Humidity	5 to 95 percent, non-condensing
Front Panel	Interface	VGA on DB-15
		USB on mini-A type
	LEDs	IPMI Management Control SAS Activity and PCIe LNK
	Mechanical	Hot Swap Ejector Handle
Software Support	Operating Systems	Linux, Windows, Solaris and VxWorks
Other		
MTBF	MIL 217-F > TBD	
Certifications	Designed to meet FCC, CE and UL certifications where applicable	
Standards	VadaTech is certified to both the ISO9001:2000 and AS9100B:2004 standards	
Compliance	RoHS and NEBS	
Warranty	Two (2) years	
Trademarks and Logos	The VadaTech logo is a registered trademark of VadaTech, Inc. Other registered trademarks are the property of their respective owners. AdvancedMC™ and the AdvancedTCA™ logo are trademarks of the PCI Industrial Computers Manufacturers Group. All rights reserved. Specification subject to change without notice.	

# AMC 2.5" SAS/SATA, Graphics and USB

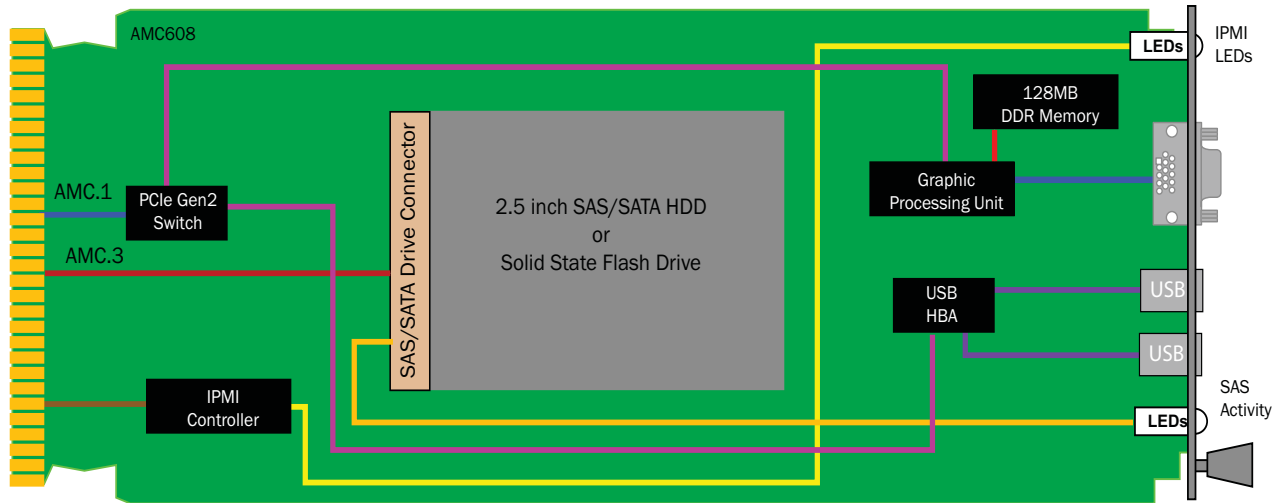


FIGURE 1. AMC608 Functional Block Diagram

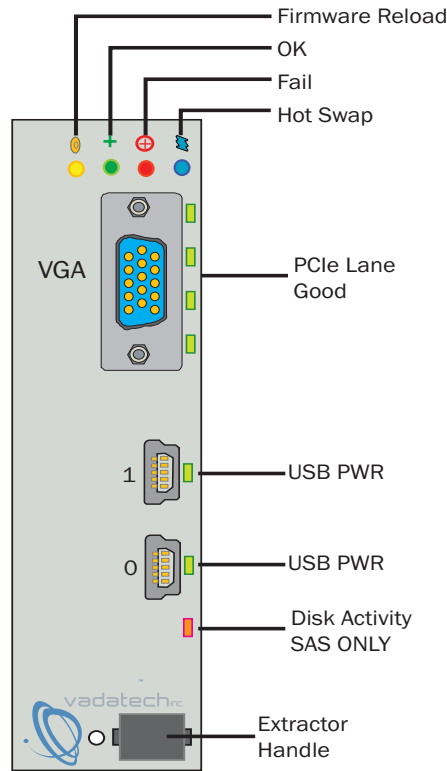


FIGURE 2. AMC608 Front Panel

# AMC 2.5" SAS/SATA, Graphics and USB

## ORDERING OPTIONS

### AMC608 - ABC - DE0 - 00J

#### A = SATA Drive Capacity

- 0 = None
- 1 = 250 GB
- 2 = 500 GB
- 3 = Reserved
- 4 = Reserved
- 5 = Reserved
- 6 = Reserved
- 7 = 2.5" Solid State Flash drive

(Contact Sales for availability)

#### B = SAS Drive Capacity

- 0 = None
- 1 = Reserved
- 2 = 146 GB
- 3 = 300 GB
- 4 = 600 GB
- 5 = Reserved

#### C = Height

- 1 = Reserved
- 2 = Mid-Height
- 3 = Full-Height

\*Available for the SSD option only

#### D = Temp

- 1 = Extended\*  
Temperature Range  
(-20° C to +80° C)
- 2 = Standard  
Temperature Range  
(0° C to +60° C)

#### J = Conformal Coating

- 0 = None
- 1 = Humiseal 1A33 Polyurethane
- 2 = Humiseal 1B31 Acrylic

#### E = Graphic Memory

- 0 = 128MB

