

KEY FEATURES

- PCIe expansion via rear panel with fiber or copper interface
 - Provides expansion to another ATC103/104/105/106/107/108/109, AMC103 or PCI103 board
- One 10/100Mbit Ethernet port from the management controller
- Management controller serial port
- Two 10/100/1000 GbE Ports from the GbE switch
- High-density connector for one of the PMC user defined I/Os
- RoHS compliant

The ART103 is a Rear Transition Module (RTM) that brings expandability to Vadatech's ATC103 carrier board. The ART103 is a passive RTM that allows for the additional connectivity of two GbE ports, Management 10/100Mbit Ethernet, Management RS-232 serial interface and three PCIe x4 lanes for expansion. One of the PMC J4s (user defined I/O) is routed to the back.

The ART103 can seamlessly be connected to an additional ART103, ATC103/104/105/106/107/108/109, AMC103 or PCI103 modules to increase the number of I/O slots via a PCIe fiber or copper expansion interconnect.

VadaTech can modify this product to meet special customer requirements without NRE (minimum order placement is required).

Advanced TCA®

ATCA Rear Transition Module

SPECIFICATIONS

Architecture		
Physical	Dimensions	Width: 12.687in. (322.25 mm)
		Depth: 3.701 in. (94.00 mm)
Type	Rear Transition	Expansion
Standards		
ATCA	Type	ATCA Rear Transition
Configuration		
Power	ART103	4W
Environmental	Temperature	Operating Temperature: 0° to 65° C
		Storage Temperature: -40° to +90° C
	Vibration	1G, 5-500Hz each axis
	Shock	30Gs each axis
Expansion	Relative Humidity	5 to 95 percent, non-condensing
	PCIe	Expansion to another ART103 or to an ATC103, ATC104, ATC105, ATC106, ATC107, ATC108, ATC109, AMC103 or PCI103
Rear Panel	Interface Connectors	One SCSI type connector for the PMC J4 user I/O
		Two InfiniBand type connectors for PCIe x4 copper expansion
		One 10/100Mbit RJ-45 connector
		Two Gigabit Ethernet RJ-45 connectors
		One Serial RS-232 RJ-45 connector
		x4 PCIe expansion via fiber
	LEDs	Link and Activity
	PCIe Lane Good	
	Mechanical	Hot Swap Ejector Handle
Other		
MTBF	MIL Spec 217-F@ 495,000 Hrs.	
Certifications	Designed to meet FCC, CE and UL certifications where applicable	
Standards	VadaTech is certified to both the ISO9001:2000 and AS9100B:2004 standards	
Compliance	RoHS and NEBS	
Warranty	Two (2) years	
Trademarks and Logos	The VadaTech logo is a registered trademark of VadaTech, Inc. Other registered trademarks are the property of their respective owners. AdvancedMC™ and the AdvancedTCA™ logo are trademarks of the PCI Industrial Computers Manufacturers Group. All rights reserved. Specification subject to change without notice.	

ATCA Rear Transition Module

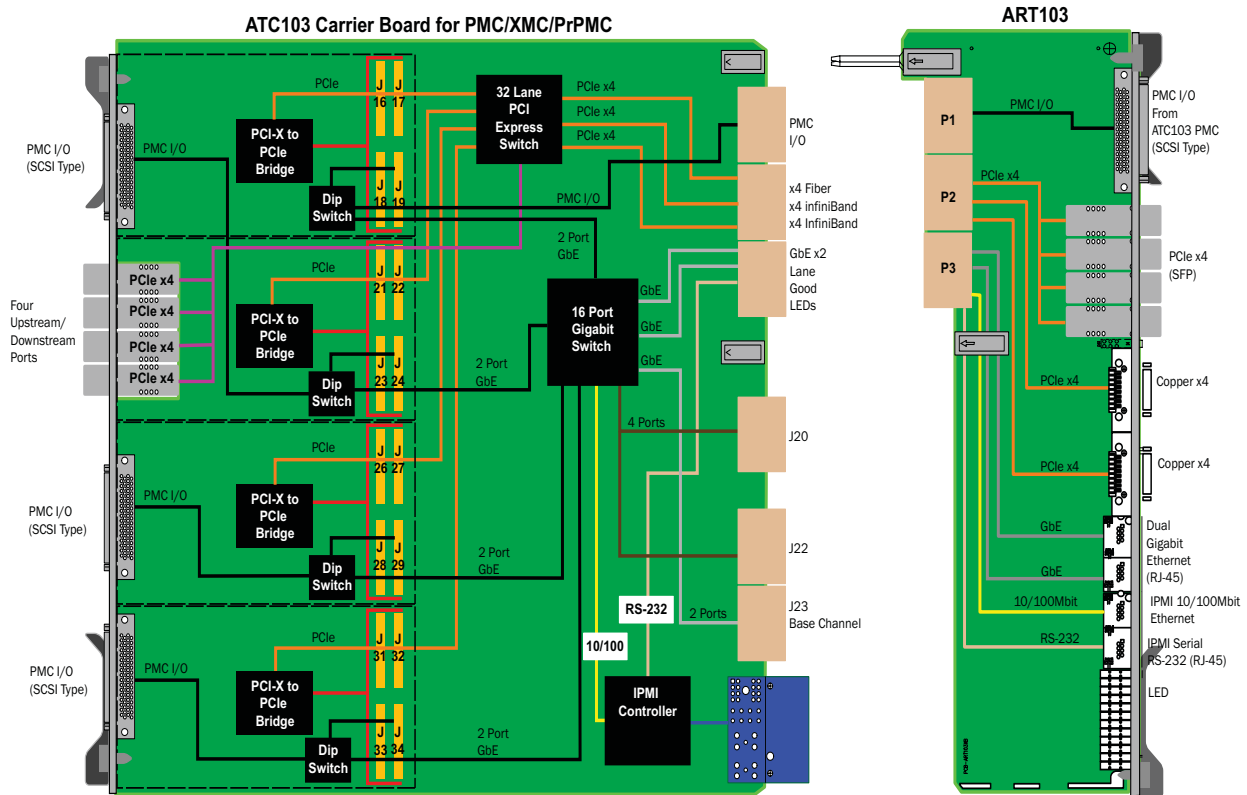


FIGURE 1. ART103 Functional Block Diagram

ORDERING OPTIONS

ART103 - A00 - 000 - 00J

A = Rear Panel Up/Downstream

- 0 = No load
- 1 = Fiber LC/SX transceivers (850 nm)
- 2 = Fiber LC/LX transceivers (1310 nm)

J = Conformal Coating

- 0 = None
- 1 = Humiseal 1A33 Polyurethane
- 2 = Humiseal 1B31 Acrylic

Document No _____ Date: July 20 2007

