

KEY FEATURES

- AdvancedTCA open standard form factor
- Linux operating system
- Znyx Networks Open Architect™ firmware for network management or IPInfusion Stack
- Option to run as the Shelf Manager or Node board
- Five front panel 10/100/1000Base-T ports
- Nine front panel SFP ports
- Front panel XFP egress port for 10GbE
- GbE to Base Interface for 14 payload slots and Shelf Manager
- Eighteen GbE ports to Zone 3 for use with an RTM
- 10GbE Inter-Switch Link for fail-over via Zone 2 fabric channel
- PICMG 3.1 compliant
- IEEE 802.3 compliant
- IPMI Version 2.0 compliant
- RoHS compliant

The ATC800 is an AdvancedTCA Gigabit Ethernet switch that serves a number of egress ports using SFP sockets and one XFP socket for 10Gigabit Ethernet. In addition the module has five 10/100/1000-BaseTX ports in the front. The use of the SFP sockets allows each port to be loaded with a plug in module to support Ethernet over fiber, either single-mode or multi-mode, or copper. This flexibility allows a mix of fiber/copper interfaces to meet changing customer requirements.

The ATC800 switch has a total of 50 egress ports. The module has a 10GbE port on its fabric channel for fail-over across two ATC800 boards. In addition, the module has inter-switch communication across its two switch fabrics to support full wire speed on all the ports. The module routes 18 ports to Zone 3.

The ATC800 IPMI controller can be configured to run as the Shelf Manager or as a Node. When used as the Shelf Manager, this allows customers to not have dedicated shelf managers in the system which reduces the total cost of the system.

The ATC800 runs Znyx Networks™ (www.znyx.com) Open Architect™ firmware for its network management software or IPInfusion.

VadaTech can modify this product to meet special customer requirements without NRE (minimum order placement is required).

AdvancedTCA®

ATCA 48-Port GbE with 10-GbE Uplink Switch

SPECIFICATIONS

Architecture		
Physical	Dimensions	Width: 12.687in. (322.25 mm)
		Depth: 11.024 in. (280 mm)
Type	ATCA Switch	50 egress ports
Standard		
Processor Type	PowerPC	PowerPC
System Memory	SDRAM	256 Mbyte SDRAM with ECC
Flash Memory	Capacity	64Mbyte
PICMG	ATCA	PICMG 3.0 R2.0
		PICMG 3.1 Option 1
Module Management	IPMI	IPMI Version 2.0, option to run as the shelf manager
Configuration		
Power	ATC800	-48 Volts, 2.2 Amps (loaded with the rear transition module)
Rear Panel	Via Zone Three	18 GbE, three I2C bus for shelf manager option
	Via Zone Two	15 10/100/1000 Base-TX, one 10GbE, shelf manager fail over signals via update channel
	Via Zone One	IPMI, Power
Front Panel	Interface Connectors	One RS-232 RJ-45 connector for switch management
		One RS-232 RJ-45 connector for IPMI management controller
		One 10/100 Ethernet Out of Band port to the management processor
		Five 10/100/1000 GbE
		Nine SFP Fiber/Copper interfaces
	Button	Reset Switch
LEDs	IPMI Management Control, Link/Activity, Alert, etc.	
Mechanical	Hot Swap Ejector Handle	
Environmental	Temperature	Operating Temperature: 0° to 65° C (Air flow requirement is to be greater than 500 LFM)
		Storage Temperature: -40° to +90° C
	Vibration	1G, 5-500Hz each axis
	Shock	30Gs each axis
Relative Humidity	5 to 95 percent, non-condensing	
Software	Operating Systems	Linux, Znyx Networks Open Architect™ as an application
Other		
MTBF	MIL Spec 217-F > 123,000 Hrs.	
Certifications	Designed to meet FCC, CE and UL certifications where applicable	
Standards	VadaTech is certified to both the ISO9001:2000 and AS9100B:2004 standards	
Compliance	RoHS and NEBS	
Warranty	Two (2) years	
Trademarks and Logos	The VadaTech logo is a registered trademark of VadaTech, Inc. Open Architect™ is the trademark of Znyx Networks. Other registered trademarks are the property of their respective owners. AdvancedMC™ and the AdvancedTCA™ logo are trademarks of the PCI Industrial Computers Manufacturers Group. All rights reserved. Specification subject to change without notice.	

ATCA 48-Port GbE with 10-GbE Uplink Switch

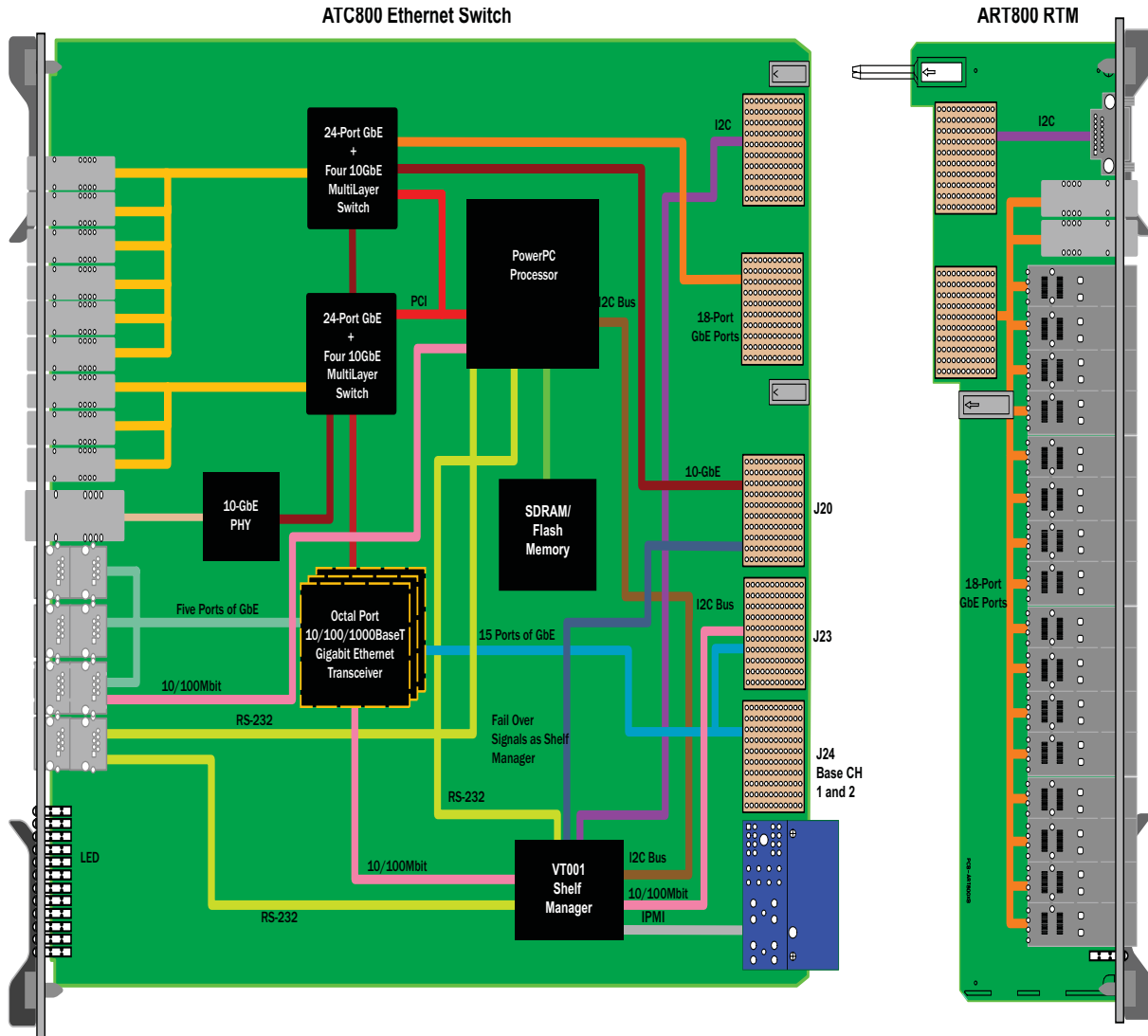


FIGURE 1. ATC800 Functional Block Diagram

ATCA 48-Port GbE with 10-GbE Uplink Switch

ORDERING OPTIONS

ATC800 - ABC - DE0 - 00J

A = SFP Front Fiber Transceiver

- 0 = None
- 1 = SX
- 2 = LX

B = No. of SFP Fiber Ports

- 0 = None
- 1-9 = Number of Fiber SFPs

C = No. of SFP Copper Ports

- 0 = None
- 1-9 = Number of copper SFPs

D = IPMI Controller*

- 1 = Node board
- 2 = Shelf Manager

E = Layer 2/3 Software stack

- 0 = Znyx
- 1 = IPInfusion

J = Conformal Coating

- 0 = None
- 1 = Humiseal 1A33 Polyurethane
- 2 = Humiseal 1B31 Acrylic

NOTES

*The ATC800 can be purchased as either a Shelf Manager or Node board (contact your Sales representative for information).

**Vadatech can design custom Rear Transition Modules (RTMs) for this product or any ATCA carrier board with a minimum order and no NRE.

