



### KEY FEATURES

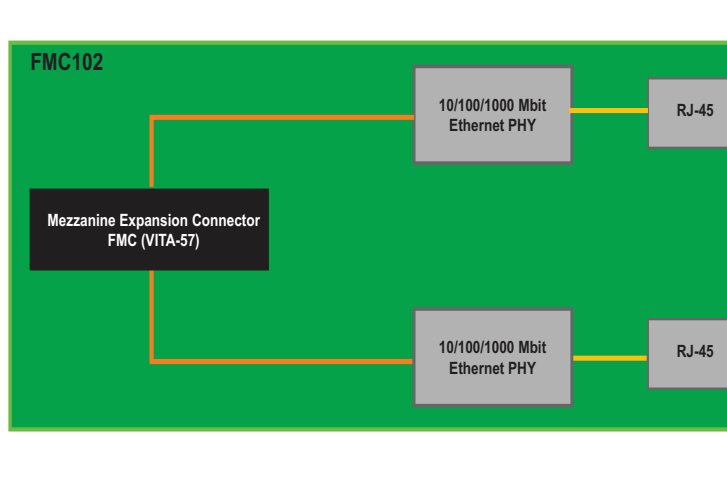
- FPGA Mezzanine Card (FMC) per VITA-57
- Single width
- Two 10/100/1000 Mbit GbE ports
- Connection via two RJ-45 connectors
- RoHS compliant

The FMC102 is an FPGA Mezzanine Module per VITA 57 specification. The FMC102 has two GbE PHY which allows 10/100/1000 Mbit to be routed via SERDES to the appropriate FMC pins.

VadaTech can modify this product to meet special customer requirements without NRE (minimum order placement is required).

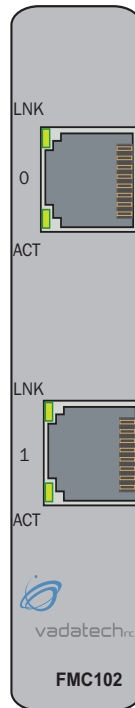
## SPECIFICATIONS

Architecture		
Physical	Dimensions	Single-width
		Width: 69mm
		Depth: 76.5mm
Type	FMC	10/100/1000 GbE Single FMC slot
Standards		
FMC	VITA57	ANSI/VITA 57.1-2008
Configuration		
Power	FMC102	1W
Environmental	Temperature	Operating Temperature: 0° to 65° C (Air flow requirement is to be greater than 400 LFM)
		Storage Temperature: -40° to +90° C
	Vibration	1G, 5-500Hz each axis
	Shock	30Gs each axis
Front Panel	Relative Humidity	5 to 95 percent, non-condensing
	Interface Connectors	RJ-45
	LEDs	LNK/Activity
Other		
MTBF	MIL Handbook 217-F > TBD.	
Certifications	Designed to meet FCC, CE and UL certifications where applicable	
Standards	VadaTech is certified to both the ISO9001:2000 and AS9100B:2004 standards	
Compliance	RoHS and NEBS	
Warranty	Two (2) years.	
Trademarks and Logos	The VadaTech logo is a registered trademark of VadaTech, Inc. Other registered trademarks are the property of their respective owners. AdvancedMC™ and the AdvancedTCA™ logo are trademarks of the PCI Industrial Computers Manufacturers Group. All rights reserved. Specification subject to change without notice.	



**FIGURE 1.** FMC102 Functional Block Diagram

**FIGURE 2.** FMC102 Front panel



## ORDERING OPTIONS

FMC102 - 000 - 000 - OHJ

**H = Operating Temp**

- 0 = Commercial
- 1 = Industrial

**J = Conformal Coating**

- 0 = None
- 1 = Humiseal 1A33 Polyurethane
- 2 = Humiseal 1B31 Acrylic

