



KEY FEATURES

- FPGA Mezzanine Card (FMC) per VITA-57
- Single width
- Four 10/100/1000 Mbit GbE ports
- Connection via quad RJ-45 connector
- RoHS compliant

The FMC103 is an FPGA Mezzanine Module per VITA 57 specification. The FMC103 has a quad GbE PHY which allows 10/100/1000 Mbit to be routed via SERDES to the appropriate FMC pins.

Note: This module requires the Carrier board front panel to be modified. When ordering any of the VadaTech FMC Carrier, VadaTech will provide the modified front panel at no extra cost. The FMC103 is shipped without any FMC panel.

VadaTech can modify this product to meet special customer requirements without NRE (minimum order placement is required).

SPECIFICATIONS

Architecture		
Physical	Dimensions	Single-width
		Width: 69mm
		Depth: 76.5mm
Type	FMC	10/100/1000 GbE Single FMC slot
Standards		
FMC	VITA57	ANSI/VITA 57.1-2008
Configuration		
Power	FMC103	2W
Environmental	Temperature	Operating Temperature: 0° to 65° C (Air flow requirement is to be greater than 400 LFM)
		Storage Temperature: -40° to +90° C
	Vibration	1G, 5-500Hz each axis
	Shock	30Gs each axis
Front Panel	Relative Humidity	5 to 95 percent, non-condensing
	Interface Connectors	RJ-45
	LEDs	none
Other		
MTBF	MIL Handbook 217-F > TBD.	
Certifications	Designed to meet FCC, CE and UL certifications where applicable	
Standards	VadaTech is certified to both the ISO9001:2000 and AS9100B:2004 standards	
Compliance	RoHS and NEBS	
Warranty	Two (2) years.	
Trademarks and Logos	The VadaTech logo is a registered trademark of VadaTech, Inc. Other registered trademarks are the property of their respective owners. AdvancedMC™ and the AdvancedTCA™ logo are trademarks of the PCI Industrial Computers Manufacturers Group. All rights reserved. Specification subject to change without notice.	

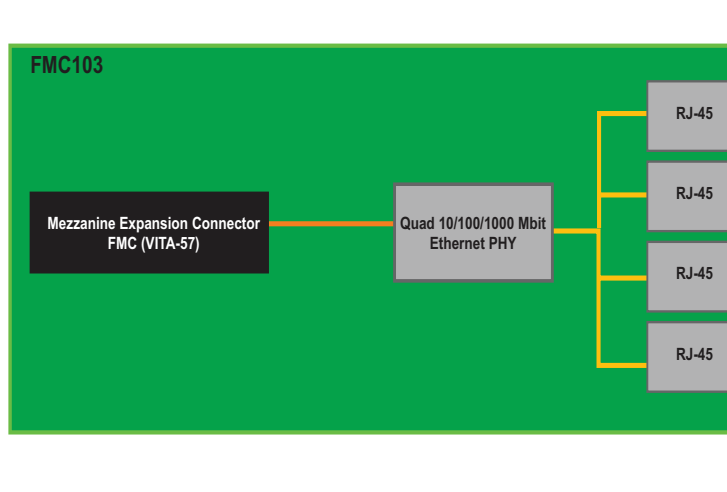


FIGURE 1. FMC103 Functional Block Diagram

ORDERING OPTIONS

FMC103 - 000 - 000 - OHJ

H = Operating Temp

- 0 = Commercial
- 1 = Industrial

J = Conformal Coating

- 0 = None
- 1 = Humiseal 1A33 Polyurethane
- 2 = Humiseal 1B31 Acrylic

