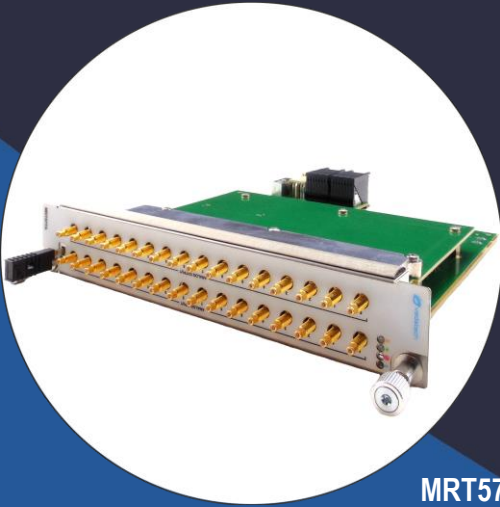


MRT577A

MTCA.4 RTM for AMC577



MRT577A

Key Features

- MicroTCA.4 RTM for the AMC577
- 16 ADC and input via Balun
- 16 DAC as output via Balun

Benefits

- Expertise in RTM and MTCA.4 board design
- Full ecosystem of MicroTCA.4 AMCs, PMs, MCH, RTMs, chassis, and application-ready systems
- Design utilizes proven VadaTech subcomponents and engineering techniques
- Electrical, mechanical, software, and system-level expertise in house
- AS9100 and ISO9001 certified company



vadatech
THE POWER OF VISION

AdvancedMC™



MRT577A

The MRT577A is a Rear Transition Module (RTM) for VadaTech's AMC577, routing analog to the rear panel.

The 16 ADC/DAC are AC coupled with a choice of Balun specification.

VadaTech offers a wide range of MicroTCA.4 products, including full systems. Contact your local salesperson or representative for details.

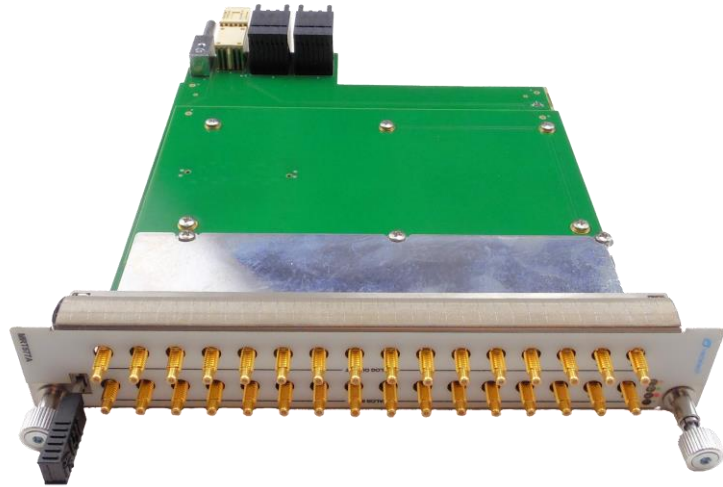


Figure 1: MRT577A



Figure 2: MRT577A Top View

Block Diagram

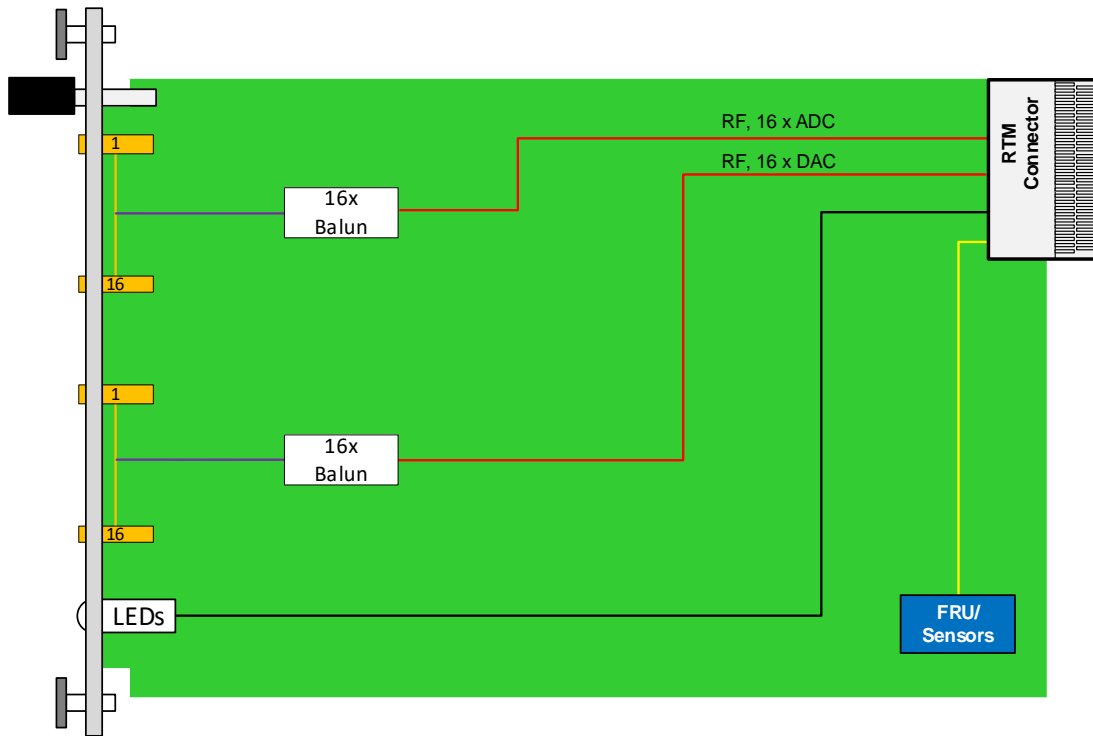


Figure 3: MRT577A Functional Block Diagram

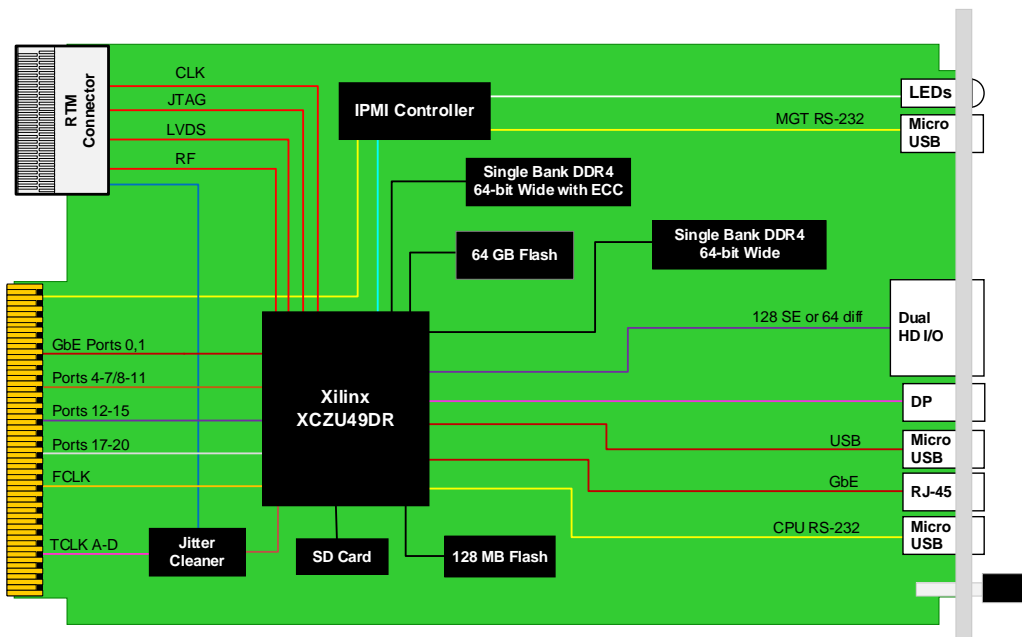


Figure 4: AMC577 Block Diagram (sold separately)

Specifications

Architecture	
Physical	Dimensions Double module and full-size Width: 5.85" (148.5 mm) Depth 7.18" (182.6 mm) Weight: TBD
Type	Analog I/O MicroRTM Single Mezzanine Card Slot
Standards	
MTCA	Type MTCA.4 RTM
Module Management	IPMI IPMI v2.0
Configuration	
Power	MRT577A ~0.1W
Environmental	Temperature See Ordering Options Storage Temperature: -40° to +85°C Vibration Operating 9.8 m/s ² (1G), 5 to 500 Hz on each axis Shock 30Gs each axis Relative Humidity 5 to 95% non-condensing
Rear Panel	Interface Connectors RF via SSMC ADC on the base and the DAC on a Daughter module LEDs User, IPMI management control Mechanical Hot-swap ejector handle
Software Support	Operating System N/A
Other	
MTBF	MIL Hand book 217-F@ TBD hrs
Certifications	Designed to meet FCC, CE and UL certifications, where applicable
Standards	VadaTech is certified to both the ISO9001:2015 and AS9100D standards
Warranty	Two (2) years, see VadaTech Terms and Conditions

INTEGRATION SERVICES AND APPLICATION-READY PLATFORMS

VadaTech has a full ecosystem of OpenVPX, ATCA and MTCA products including chassis platforms, shelf managers, AMC modules, Switch and Payload Boards, Rear Transition Modules (RTMs), Power Modules, and more. The company also offers integration services as well as pre-configured Application-Ready Platforms. Please contact VadaTech Sales for more information.

Ordering Options

MRT577A – A0C-000-00J

A = Balun Specification		
0 = 500KHz-6GHz (1:2)		
1 = 500KHz-6GHz (1:1)		
2 = 500KHz-9GHz (1:2)		
3 = 500KHz-9GHz (1:1)		
4 = 500KHz-3GHz (1:2)		
5 = 500KHz-3GHz (1:1)		
C = Front Panel Size		J = Temperature Range and Coating
1 = Reserved		0 = Commercial (-5° to +55°C), No coating
2 = Reserved		1 = Commercial (-5° to +55°C), Humiseal 1A33 Polyurethane
3 = Reserved		2 = Commercial (-5° to +55°C), Humiseal 1B31 Acrylic
4 = Reserved		3 = Industrial (-20° to +70°C), No coating
5 = Reserved		4 = Industrial (-20° to +70°C), Humiseal 1A33 Polyurethane
6 = Full-size, MTCA.4 (captive screws)		5 = Industrial (-20° to +70°C), Humiseal 1B31 Acrylic
7 = Extended-size, MTA.4 (captive screws)		

Related Products

AMC523



- Dual DAC 16-bit @ 250 MSPS utilizing MAX5878 device (user programmable for lower sampling rate)
- Xilinx Kintex-7 FPGA XC7K410T in FFG900 package
- Supported by DAQ Series™ data acquisition software

VT811



- MTCA System Platform 19" x 8U x 14.9" deep (with handles 16.23" deep)
- Full redundancy with dual MicroTCA Carrier Hub (MCH), dual Cooling Units and quad Power Modules
- Up to twelve AMCs: 12 front mid-size double module slots and RTM slots

UTC018



- Double-module, 12 HP height module per AMC.0
- Universal AC input (85 to 265V), 1000W
- Provides power up to 12 AMCs, 2 MCHs and Cooling Units

Contact

VadaTech Corporate Office

198 N. Gibson Road, Henderson, NV 89014

Phone: +1 702 896-3337 | Fax: +1 702 896-0332

Asia Pacific Sales Office

7 Floor, No. 2, Wenhua Street, Neihu District, Taipei 114, Taiwan

Phone: +886-2-2627-7655 | Fax: +886-2-2627-7792

VadaTech European Sales Office

VadaTech House, Bulls Copse Road, Southampton, SO40 9LR

Phone: +44 2380 016403

info@vadatech.com | www.vadatech.com

Choose VadaTech

We are technology leaders

- First-to-market silicon
- Constant innovation
- Open systems expertise

We commit to our customers

- Partnerships power innovation
- Collaborative approach
- Mutual success

We deliver complexity

- Complete signal chain
- System management
- Configurable solutions

We manufacture in-house

- Agile production
- Accelerated deployment
- AS9100 accredited



vadatech
THE POWER OF VISION

Trademarks and Disclaimer

The VadaTech logo is a registered trademark of VadaTech, Inc. Other registered trademarks are the property of their respective owners. AdvancedTCA™ and the AdvancedMC™ logo are trademarks of the PCI Industrial Computers Manufacturers Group. All rights reserved. Specification subject to change without notice.

© 2020 VadaTech Incorporated. All rights reserved.
DOC NO. 4FM737-12 REV 01 | VERSION 1.0 – NOV/23