

MRT580A

MTCA.4 RTM for AMC580



MRT580A

Key Features

- MicroTCA.4 RTM for the AMC580
- Rear Access Digital Input/Out
- Quad GbE
- Dual USB 2.0
- RS-232

Benefits

- Expertise in RTM and MTCA.4 board design
- Full ecosystem of MicroTCA.4 AMCs, PMs, MCH, RTMs, chassis, and application-ready systems
- Design utilizes proven VadaTech subcomponents and engineering techniques
- Electrical, mechanical, software, and system-level expertise in house
- AS9100 and ISO9001 certified company

AdvancedMC™



vadatech
THE POWER OF VISION

MRT580A

The MRT580A is a Rear Transition Module (RTM) for VadaTech's AMC580, routing I/O signals to the rear panel. The module has quad GbE ports via RJ-45 with dual USB 2.0.

VadaTech offers a wide range of MicroTCA.4 products, including full systems. Contact your local salesperson or representative for details.



Figure 1: MRT580A

Block Diagram

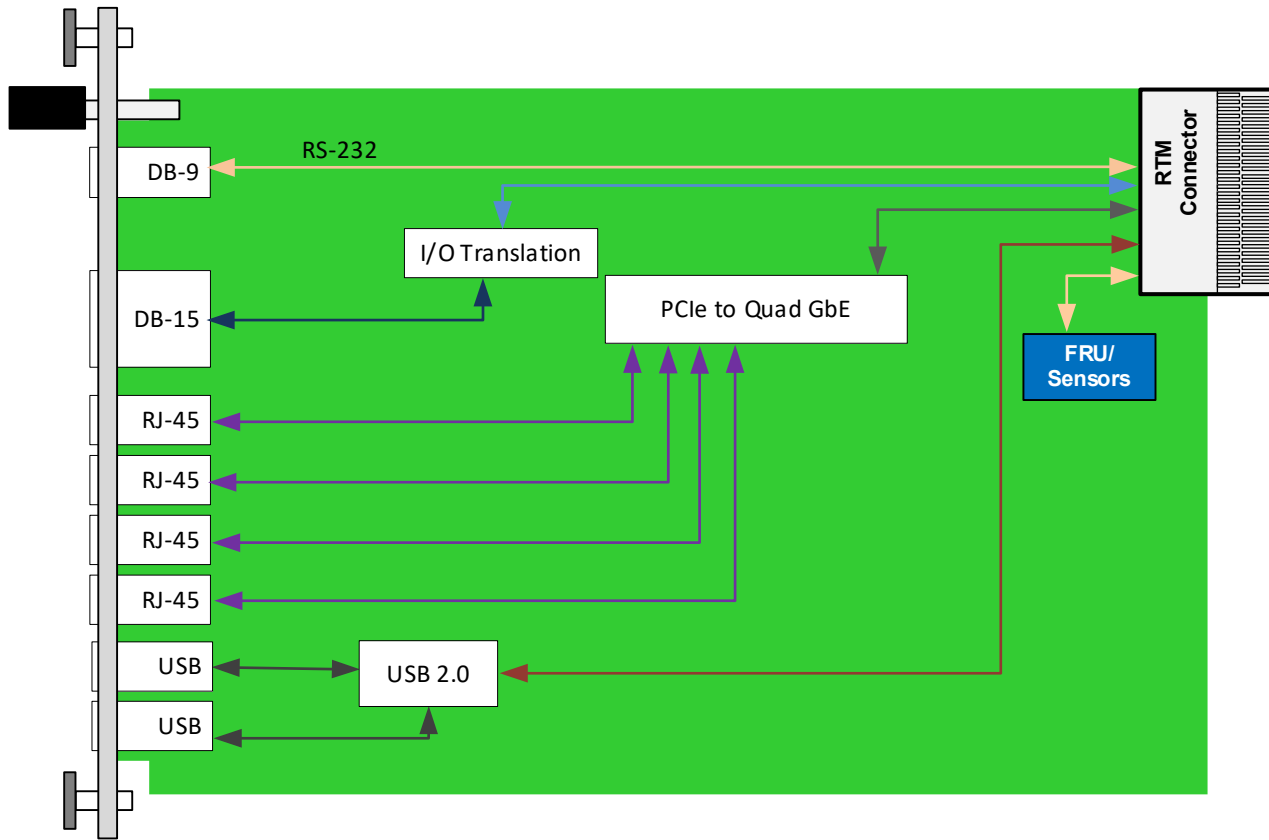


Figure 2: MRT580A Functional Block Diagram

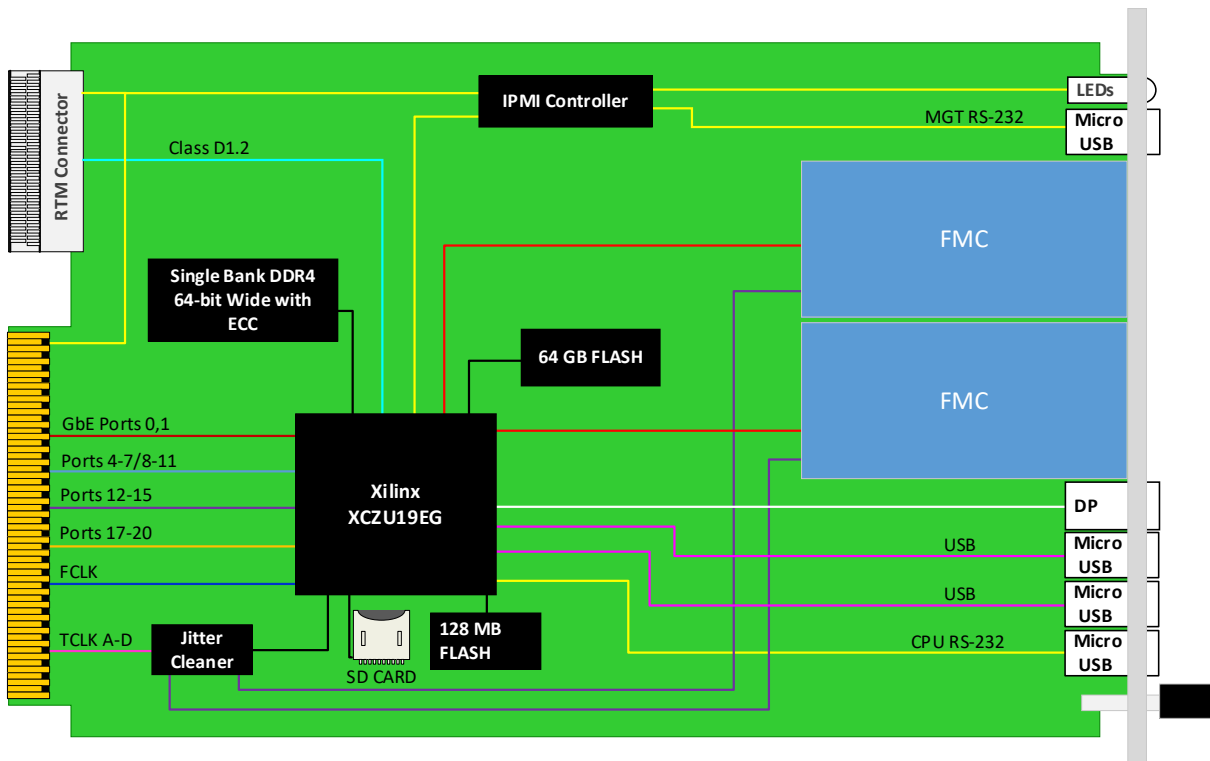


Figure 3: AMC580 Functional Block Diagram (sold separately)

Specifications

Architecture		
Physical	Dimensions	Double module full-size Width: 5.85" (148.5 mm) Depth 7.18" (182.6 mm)
Type		I/O
Standards		
MTCA	Type	MTCA.4 RTM
Module Management	IPMI	IPMI v2.0
Configuration		
Power	MRT580A	4W
Environmental	Temperature	See Ordering Options Storage Temperature: -40° to +85°C
	Vibration	Operating 9.8 m/s ² (1G), 5 to 500 Hz on each axis
	Shock	30Gs each axis
	Relative Humidity	5 to 95% non-condensing
Rear Panel	Interface Connectors	Four 9-way Nanonic coax MicroUSB for IPMI
	LEDs	IPMI management control
	Mechanical	Hot swap ejector handle
Software Support	Operating System	N/A
Other		
MTBF		MIL Hand book 217-F@ TBD hrs
Certifications		Designed to meet FCC, CE and UL certifications, where applicable
Standards		VadaTech is certified to both the ISO9001:2000 and AS9100B:2004 standards
Warranty		Two (2) years, see VadaTech Terms and Conditions

INTEGRATION SERVICES AND APPLICATION-READY PLATFORMS

VadaTech has a full ecosystem of OpenVPX, ATCA and MTCA products including chassis platforms, shelf managers, AMC modules, Switch and Payload Boards, Rear Transition Modules (RTMs), Power Modules, and more. The company also offers integration services as well as pre-configured Application-Ready Platforms. Please contact VadaTech Sales for more information.

Ordering Options

MRT580A – 00C-000-00J

C = Front Panel Size	J = Temperature Range and Coating
1 = Reserved 2 = Reserved 3 = Reserved 4 = Reserved 5 = Reserved 6 = Full-size, MTCA.4 (captive screws)	0 = Commercial (–5° to +55°C), No coating 1 = Commercial (–5° to +55°C), Humiseal 1A33 Polyurethane 2 = Commercial (–5° to +55°C), Humiseal 1B31 Acrylic 3 = Industrial (–20° to +70°C), No coating 4 = Industrial (–20° to +70°C), Humiseal 1A33 Polyurethane 5 = Industrial (–20° to +70°C), Humiseal 1B31 Acrylic

For operational reasons VadaTech reserves the right to supply a higher speed FPGA device than specified on any particular order/delivery at no additional cost, unless the customer has entered into a Revision Lock agreement with respect to this product.

Related Products

AMC523



- Dual DAC 16-bit @ 250 MSPS utilizing MAX5878 device (user programmable for lower sampling rate)
- Xilinx Kintex-7 FPGA XC7K410T in FFG900 package
- Supported by DAQ Series™ data acquisition software

VT811



- MTCA System Platform 19" x 8U x 14.9" deep (with handles 16.23" deep)
- Full redundancy with dual MicroTCA Carrier Hub (MCH), dual Cooling Units and quad Power Modules
- Up to twelve AMCs: 12 front mid-size double module slots and RTM slots

UTC018



- Double-module, 12 HP height module per AMC.0
- Universal AC input (85 to 265V), 1000W
- Provides power up to 12 AMCs, 2 MCHs and Cooling Units

Contact

VadaTech Corporate Office

198 N. Gibson Road, Henderson, NV 89014

Phone: +1 702 896-3337 | Fax: +1 702 896-0332

Asia Pacific Sales Office

7 Floor, No. 2, Wenhui Street, Neihu District, Taipei 114, Taiwan

Phone: +886-2-2627-7655 | Fax: +886-2-2627-7792

VadaTech European Sales Office

VadaTech House, Bulls Copse Road, Southampton, SO40 9LR

Phone: +44 2380 016403

info@vadatech.com | www.vadatech.com

Choose VadaTech

We are technology leaders

- First-to-market silicon
- Constant innovation
- Open systems expertise

We commit to our customers

- Partnerships power innovation
- Collaborative approach
- Mutual success

We deliver complexity

- Complete signal chain
- System management
- Configurable solutions

We manufacture in-house

- Agile production
- Accelerated deployment
- AS9100 accredited



vadatech
THE POWER OF VISION

Trademarks and Disclaimer

The VadaTech logo is a registered trademark of VadaTech, Inc. Other registered trademarks are the property of their respective owners. AdvancedTCA™ and the AdvancedMC™ logo are trademarks of the PCI Industrial Computers Manufacturers Group. All rights reserved. Specification subject to change without notice.

© 2019 VadaTech Incorporated. All rights reserved.
DOC NO. 4FM737-12 REV 01 | VERSION 1.2 – JAN/22