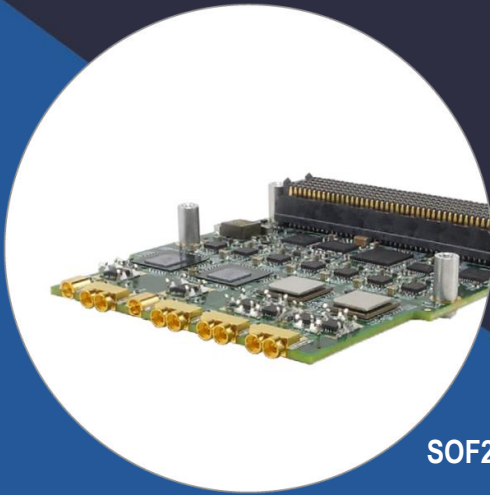


SOF221

Dual ADC @ 10.4 GSPS, SOFI Module



SOF221

Key Features

- Dual ADC 12-bit @ 10.4 GSPS (dual ADC12DJ5200), supports four channels @ 5.2 GSPS
- Dual DAC 16-bit @ 12 GSPS (dual AD9162 or AD9164), supports 6 GHz direct RF synthesis
- Sampling clock from host module
- Onboard Wideband PLL structure
- LMK04828 PLL (with 100 MHz VCXO) for JESD lane clocking and sysref

The SOF221 provides dual ADC sampling rates of up to 10.4 GSPS at a 12-bit resolution (TI ADC12DJ5200) or quad inputs of 5.2 GSPS. Also, dual DAC delivers update rates of up to 12 GSPS and incorporates direct RF synthesis capable of 6 GSPS at a 16-bit resolution (Analog Devices AD9162 or AD9164).

The SOF221 is similar to SOF200/SOF217 but designed for use of 2 GHz to 7 GHz range and higher sampling rate. Contact VadaTech for details.

The module is suitable for signal capture/analysis applications such as COMINT/SIGINT, radar, research and instrumentation.

NOTE: This module is not orderable as a standalone item and must be purchased as part of an AMSxxx (AMC module) or VPSxxx (3U VPX module) product. See [SOFI Overview](#) for details.



vadatech
THE POWER OF VISION





Figure 1: SOF221

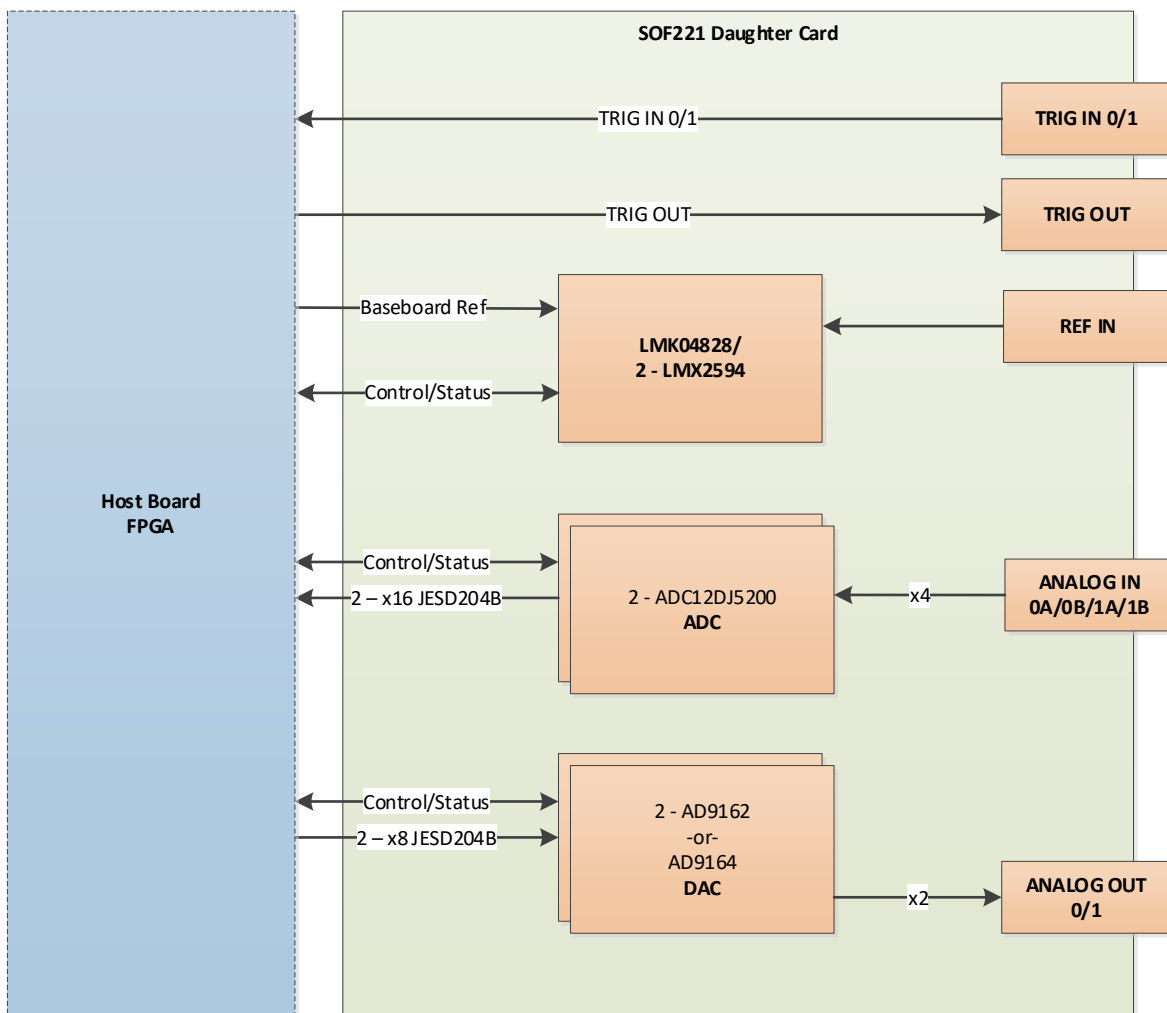


Figure 2: SOF221 Functional Block Diagram

Contact

VadaTech Corporate Office

198 N. Gibson Road, Henderson, NV 89014

Phone: +1 702 896-3337 | Fax: +1 702 896-0332

Asia Pacific Sales Office

7 Floor, No. 2, Wenhui Street, Neihu District, Taipei 114, Taiwan

Phone: +886-2-2627-7655 | Fax: +886-2-2627-7792

VadaTech European Sales Office

VadaTech House, Bulls Copse Road, Southampton, SO40 9LR

Phone: +44 2380 016403

info@vadatech.com | www.vadatech.com

SOFI Modules

SOFI modules are physically similar to FMC modules but are incompatible with FMC carriers, and are not designed to be interchangeable in the field.

See [SOFI Overview](#) for compatibility with AMC and 3U VPX carriers. If the particular combination of form factor, FPGA and ADC/DAC performance you require is not yet listed, please contact your local VadaTech sales team for details of how we can support you.

NOTE: This module is not orderable as a standalone item and must be purchased as part of an AMSxxx (AMC module) or VPSxxx (3U VPX module) product.



vadatech
THE POWER OF VISION

Trademarks and Disclaimer

The VadaTech logo is a registered trademark of VadaTech, Inc. Other registered trademarks are the property of their respective owners. AdvancedTCA™ and the AdvancedMC™ logo are trademarks of the PCI Industrial Computers Manufacturers Group. All rights reserved. Specification subject to change without notice.

© 2020 VadaTech Incorporated. All rights reserved.
DOC NO. 4FM737-12 REV 01 | VERSION 1.2 – APR/23