

VPX513

FPGA FMC Carrier, Xilinx Kintex-7, 3U VPX



VPX513

Key Features

- 3U FPGA carrier for FPGA Mezzanine Card (FMC) per VITA 46 and VITA 57
- Xilinx Kintex-7 410T FPGA in FFG-900 package
- High-performance clock jitter cleaner can source PO_AUX_CLK to provide a common clock across the chassis.
- VHDL reference design with source code
- Protocols such as PCIe, SRIO, 10GbE/40GbE, etc. are FPGA programmable
- 2.5 GB of DDR3 Memory
- Compatible with VadaTech and 3rd party FMCs
- Health Management through dedicated Processor

Benefits

- Uses same frequency source across multiple GTX blocks for backplane & FMC
- Reference design with VHDL source code speeds application development
- Electrical, mechanical, software, and system-level expertise in house
- Full system supply from industry leader
- AS9100 and ISO9001 certified company

OpenVPX™



vadatech
THE POWER OF VISION



VPX513

The VPX513 is a FPGA Carrier (VITA 46) with an FMC (VITA 57) interface. The unit has an onboard, re-configurable FPGA which interfaces directly to the FMC DP0-9 and all FMC LA/HA/HB pairs. The FPGA has interface to two DDR3 memory channels (64-bit wide and 16-bit wide) for a total of 2.5 GB. This allows for large buffer sizes to be stored during processing as well as for queuing the data to the host.

The clocking sub-system supports a common clock across GTX transceivers, which can be derived from an incoming GTX, sourced from an onboard oscillator (frequency selectable by ordering option), or taken from P0_AUX_CLK. If sourced locally the clock can be driven back out through P0_AUX_CLK, supporting master/slave configurations to extend the common clock across a chassis.

The module supports dual GbE and, dependent on FPGA code loaded, PCIe up to Gen3 (dual x4 or x8 lane), or dual SRIO, 10GbE or 40GbE on P1.

The VPX513 provide health management through the dedicated management processor (including temp, voltage, FRU info, etc.).

The unit is available in a range of temperature and shock/vib specifications per ANSI/VITA 47, up to V3 and OS2.

Please contact VadaTech for details of Conduction Cooled versions.



Figure 1: VPX513

Block Diagram

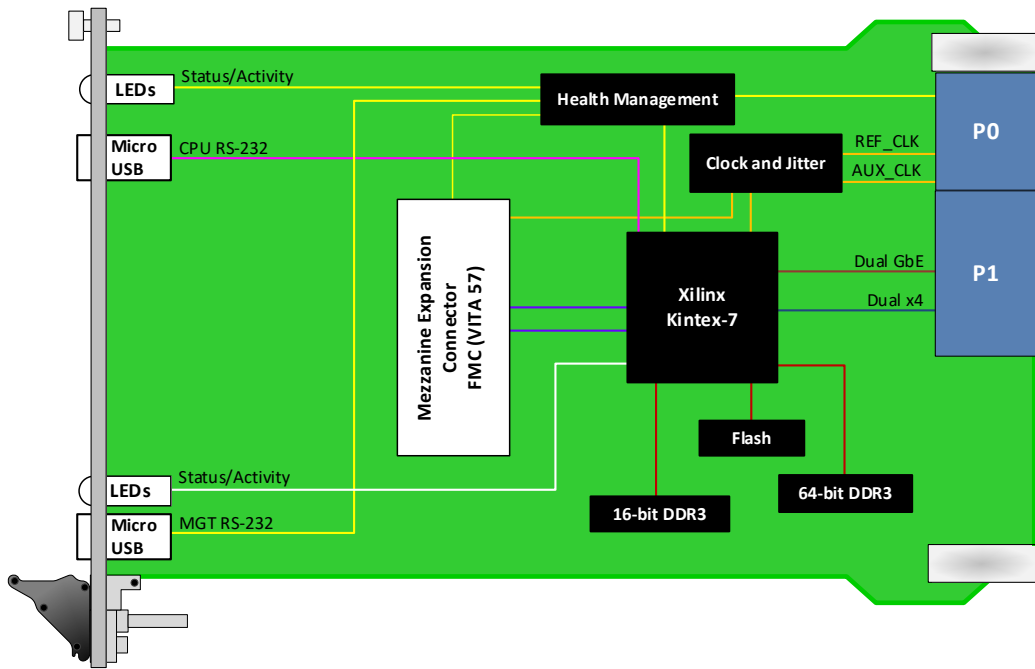


Figure 2: VPX513 Functional Block Diagram

Front panel

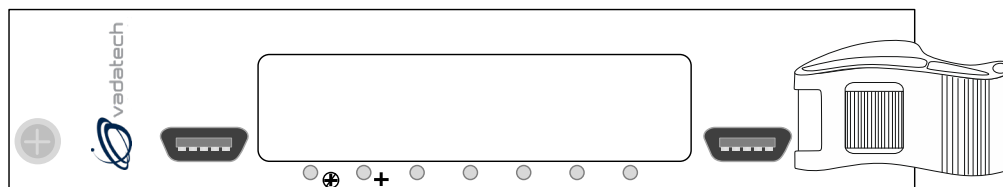


Figure 3: VPX513 Front Panel

Backplane Pinout

P1	1	PCIe Gen3 x4 or SRIO x4 or 10/40GbE	PCIe configurable as dual x4 or single x8
	2		
	3		
	4		
	5	PCIe Gen3 x4 or SRIO x4 or 10/40GbE	
	6		
	7		
	8		
	9	N/C	
	10	N/C	
	11	N/C	
	12		
	13		
	14		
	15	GbE x2	
	16		
Row G	Management		

Figure 4: VPX513 Backplane Pinout

Reference Design

VadaTech provides an extensive range of Xilinx based FPGA products. The FPGA products are in two categories; FPGA boards with FMC carriers and FPGA products with high speed ADC and DACs. The FPGA products are designed in various architectures such as AMC modules, PCIe cards and Open VPX.

VadaTech provides a reference design implementation for our FPGAs complete with VHDL source code, documentation and configuration binaries. The reference design focuses on the I/O ring of the FPGA to demonstrate low-level operation of the interconnections between the FPGA and other circuits on the board and/or backplane. It is designed to prove out the hardware for early prototyping, engineering/factory diagnostics and customer acceptance of the hardware, but it does not strive to implement a particular end application. The reference VHDL reduces customer time to develop custom applications, as the code can be easily adapted to meet customer's application requirements.

The reference design allows you to test and validate the following functionality (where supported by the hardware):

- Base and Fabric channels
- Clocks
- Data transfers
- Memory
- User defined LEDs

Xilinx provides Vivado Design Suite for developing applications on Xilinx based FPGAs. VadaTech provides reference VHDL developed using the Vivado Design Suite for testing basic hardware functionality. The reference VHDL is provided royalty free to use and modify on VadaTech products, so can be used within applications at no additional cost. However, customers are restricted from redistributing the reference code and from use of this code for any other purpose (e.g. it should not be used on non-VadaTech hardware).

The reference VHDL is shipped in one or more files based on a number of ordering options. Not all ordering options have an impact on the FPGA and a new FPGA image is created for those options that have direct impact on the FPGA. Use the correct reference image to test your hardware. For more information, refer to the FPGA reference design manual for your device which can be accessed from the customer support site along with the reference images.

Supported Software

- Default FPGA image stored in flash memory
- Linux BSP
- Build Scripts
- Device Driver
- Reference application projects for other ordering options

The user may need to develop their own FPGA code or adapt VadaTech reference code to meet their application requirements. The supplied pre-compiled images may make use of hardware evaluation licenses, where necessary, instead of full licenses. This is because VadaTech does not provide licenses for the Vivado tool or Xilinx IP cores, so please contact Xilinx where these are required.

Xilinx also provides System Generator tools for developing Digital Signal Processing (DSP) applications.

See the following links:

[Xilinx Vivado Design Suite](#), [Xilinx System Generator for DSP](#).

Specifications

Architecture		
Physical	Dimensions	3U, 1" pitch
Configuration		
Power	VPX513	~20W (dependent on FPGA load and FMC)
Front Panel	FMC	Single FMC slot
	Micro USB	RS-232 from FPGA and RS-232 from Health Management
	LEDs	User defined by the FPGA and Health Management
VPX Interfaces	Slot Profiles	See Ordering Options
	Rear IO	Dual x4 fabric on P1 (PCIe Gen3/10GbE/40GbE/SRIO per FPGA load) Dual GbE on P1
	Power Supplies	On P0: VS1 = 12V Aux voltage for the management processor
Other		
MTBF	MIL Hand book 217-F@ TBD hrs	
Certifications	Designed to meet FCC, CE and UL certifications, where applicable	
Standards	VadaTech is certified to both the ISO9001:2015 and AS9100D standards	
Warranty	Two (2) years, see VadaTech Terms and Conditions	

INTEGRATION SERVICES AND APPLICATION-READY PLATFORMS

VadaTech has a full ecosystem of OpenVPX, ATCA and MTCA products including chassis platforms, shelf managers, AMC modules, Switch and Payload Boards, Rear Transition Modules (RTMs), Power Modules, and more. The company also offers integration services as well as pre-configured Application-Ready Platforms. Please contact VadaTech Sales for more information.

Ordering Options

VPX513 – ABC-DEF-GHJ

A = AUX XO Frequency 0 = 100 MHz 1 = Reserved 2 = Reserved	D = FPGA Speed 0 = Reserved 1 = High 2 = Highest	G = Applicable Slot Profiles 0 = 5 HP, IEEE 1101.10 1 = 5 HP, VITA 48.1
B = VPX Connector Type 0 = Standard 50u Gold Rugged 1 = KVPX Connectors	E = Clock Holdover Stability 0 = Standard (XO) 1 = Stratum-3 (TCXO)	H = Environmental See Environmental Specification
C = FPGA 0 = Reserved 1 = Reserved 2 = XC7K410T	F = PCIe Option (P1) for Data Port 1/2 0 = No PCIe 1 = PCIe/None 2 = None/PCIe 3 = PCIe/PCIe	J = Conformal Coating 0 = No coating 1 = Humiseal 1A33 Polyurethane 2 = Humiseal 1B31 Acrylic

For operational reasons VadaTech reserves the right to supply a higher speed FPGA device than specified on any particular order/delivery at no additional cost, unless the customer has entered into a Revision Lock agreement with respect to this product.

Environmental Specification

Option H	Air Cooled			Conduction Cooled	
	H = 0	H = 1	H = 2	H = 3	H = 4
Operating Temperature	AC1* (0°C to +55°C)	AC3* (-40°C to +70°C)	CC1* (0°C to +55°C)	CC3* (-40°C to +70°C)	CC4* (-40°C to +85°C)
Storage Temperature	C1* (-40°C to +85°C)	C3* (-50°C to +100°C)	C1* (-40°C to +85°C)	C3* (-50°C to +100°C)	C3* (-50°C to +100°C)
Operating Vibration	V2* (0.04 g2/Hz max)	V2* (0.04 g2/Hz max)	V3* (0.1 g2/Hz max)	V3* (0.1 g2/Hz max)	V3 (0.1 g2/Hz max)
Storage Vibration	OS1* (20g)	OS1* (20g)	OS2* (40g)	OS2* (40g)	OS2* (40g)
Humidity	95% non-condensing	95% non-condensing	95% non-condensing	95% non-condensing	95% non-condensing

Notes: *Nomenclature per ANSI/VITA 47. Contact local sales office for conduction cooled (H = 2, 3, 4).

Related Products

FMC109



- FMC per VITA 57
- Single module
- Quad SPF/SPF+ cages for quad ports

FMC211



- FMC per VITA 57
- ADC @ 2.6 GSPS (EV10AS150B)
- 5 GHz Full Power Input Bandwidth (-3 dB)

FMC228



- FMC per VITA 57
- Quad ADC 1 GSPS or 500 MSPS (AD9234)
- Option for Direct RF sampling clock via front panel

Contact

VadaTech Corporate Office

198 N. Gibson Road, Henderson, NV 89014

Phone: +1 702 896-3337 | Fax: +1 702 896-0332

Asia Pacific Sales Office

7 Floor, No. 2, Wenhua Street, Neihu District, Taipei 114, Taiwan

Phone: +886-2-2627-7655 | Fax: +886-2-2627-7792

VadaTech European Sales Office

VadaTech House, Bulls Copse Road, Southampton, SO40 9LR

Phone: +44 2380 016403

info@vadatech.com | www.vadatech.com

Choose VadaTech

We are technology leaders

- First-to-market silicon
- Constant innovation
- Open systems expertise

We commit to our customers

- Partnerships power innovation
- Collaborative approach
- Mutual success

We deliver complexity

- Complete signal chain
- System management
- Configurable solutions

We manufacture in-house

- Agile production
- Accelerated deployment
- AS9100 accredited



Trademarks and Disclaimer

The VadaTech logo is a registered trademark of VadaTech, Inc. Other registered trademarks are the property of their respective owners. AdvancedTCA™ and the AdvancedMC™ logo are trademarks of the PCI Industrial Computers Manufacturers Group. All rights reserved. Specification subject to change without notice.

© 2019 VadaTech Incorporated. All rights reserved.
DOC NO. 4FM737-12 REV 01 | VERSION 1.6 – JAN/22



vadatech
THE POWER OF VISION