

# VRT763A

## Rear Transition Module I/O for VadaTech VPX763

VRT763A



**vadatech**  
THE POWER OF VISION

## Key Features

- 6U RTM VITA 46
- Dual M.2 NVMe Storage
- Dual GbE via RJ-45
- 40GbE MAC/PHY to QSFP+
- Interfaces with the VadaTech VPX763
- Dual RS-232

## Benefits

- Full System supply from industry leader
- AS9100 and ISO9001 certified company

**OpenVPX™**



# VRT763A

The VRT763A is a 6U VPX Rear Transition Module for use with VadaTech VPX763. The module has a dual M.2 NVMe storage, dual GbE via RJ-45, 40GbE and dual RS-232 (one to the health management and one to the payload).

*Figure 1: VRT763A*

*Figure 2: VRT763A Top View*

*Figure 3: VRT763A Front Panel View*

# Block Diagram

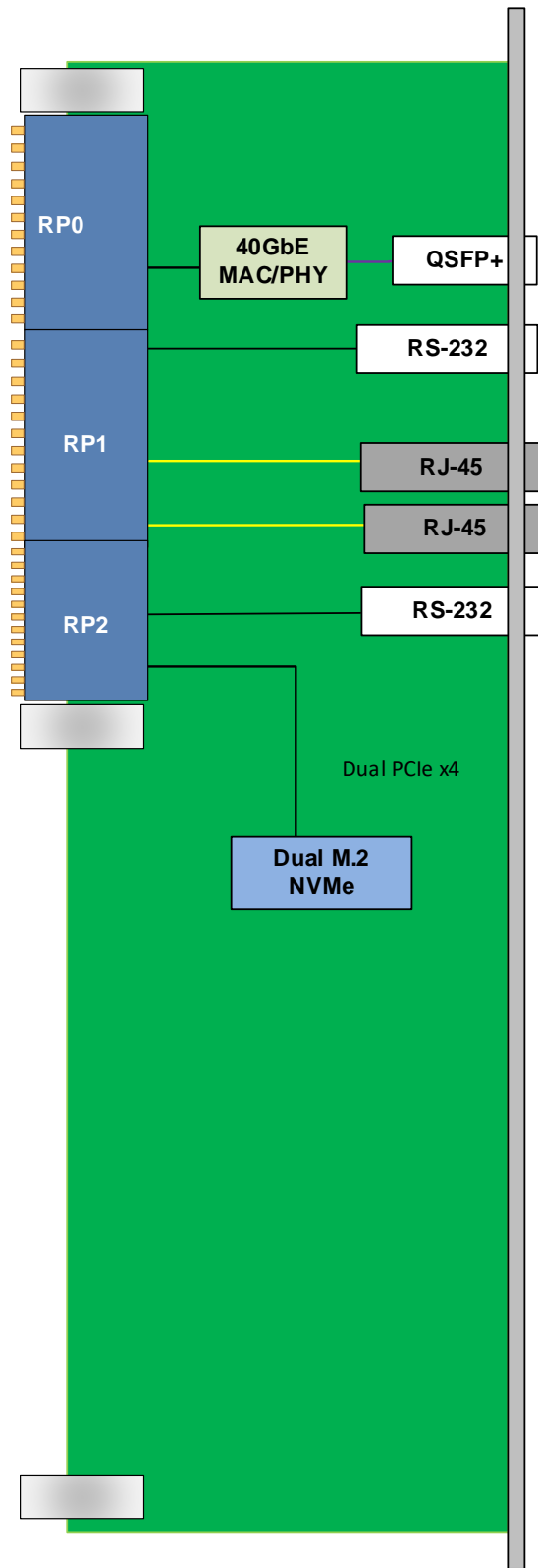


Figure 4: VRT763A Functional Block Diagram

# Specifications

Architecture		
<b>Physical</b>	<b>Dimensions</b>	6U, 1" pitch
<b>CPU</b>		VPX RTM for VadaTech VPX763 Processor
Configuration		
<b>Power</b>	<b>VRT763A</b>	~12W
<b>Memory</b>		None
<b>Rear Panel</b>		RJ-45, QSFP+ and dual micro-USB
<b>VPX Interfaces</b>	<b>Slot Profiles</b>	See <a href="#">Ordering Options</a>
<b>Rear IO</b>	<b>RP0/RP1/RP2</b>	Dual GbE, 40GbE, RS-232
	<b>Power Supplies</b>	On RP0: +12V/+5V
Other		
<b>MTBF</b>		MIL Hand book 217-F@ TBD hrs
<b>Certifications</b>		Designed to meet FCC, CE and UL certifications, where applicable
<b>Standards</b>		VadaTech is certified to both the ISO9001:2015 and AS9100D standards
<b>Warranty</b>		Two (2) years, see <a href="#">VadaTech Terms and Conditions</a>

## INTEGRATION SERVICES AND APPLICATION-READY PLATFORMS

VadaTech has a full ecosystem of OpenVPX, ATCA and MTCA products including chassis platforms, shelf managers, AMC modules, Switch and Payload Boards, Rear Transition Modules (RTMs), Power Modules, and more. The company also offers integration services as well as pre-configured Application-Ready Platforms. Please contact VadaTech Sales for more information.

# Ordering Options

## VRT763A – AB0-000-GHJ

<b>A = QSFP+ Transceiver</b>		<b>G = Applicable Slot Profiles</b>
0 = None 1 = SR 2 = LR		0 = 5 HP
<b>B = M.2 Storage per socket</b>		<b>H = Environmental</b>
0 = None 1 = 1 TB 2 = 2 TB 3 = Reserved		See <a href="#">Environmental Specification</a>
		<b>J = Conformal Coating</b>
		0 = No coating 1 = Humiseal 1A33 Polyurethane 2 = Humiseal 1B31 Acrylic

Notes:

## Environmental Specification

	Air Cooled		Conduction Cooled		
Option H	H = 0	H = 1	H = 2	H = 3	H = 4
<b>Operating Temperature</b>	AC1* (0°C to +55°C)	AC3* (-40°C to +70°C)	CC1* (0°C to +55°C)	CC3* (-40°C to +70°C)	CC4* (-40°C to +85°C)
<b>Storage Temperature</b>	C1* (-40°C to +85°C)	C3* (-50°C to +100°C)	C1* (-40°C to +85°C)	C3* (-50°C to +100°C)	C3* (-50°C to +100°C)
<b>Operating Vibration</b>	V2* (0.04 g2/Hz max)	V2* (0.04 g2/Hz max)	V3* (0.1 g2/Hz max)	V3* (0.1 g2/Hz max)	V3 (0.1 g2/Hz max)
<b>Storage Vibration</b>	OS1* (20g)	OS1* (20g)	OS2* (40g)	OS2* (40g)	OS2* (40g)
<b>Humidity</b>	95% non-condensing	95% non-condensing	95% non-condensing	95% non-condensing	95% non-condensing

Notes:

\*Nomenclature per ANSI/VITA 47. Contact local sales office for conduction cooled (H = 2, 3, 4)

## Related Products



VPX516

- 3U FPGA carrier for FPGA Mezzanine Card (FMC) per VITA 46 and VITA 57
- Xilinx Virtex-7 690T FPGA in FFG-1761 package
- High-performance clock jitter cleaner



VPX517

- 3U FPGA carrier for FMC per VITA 46 and VITA 57
- Xilinx Kintex-7 410T FPGA in FFG-900 package
- High-performance clock jitter cleaner

# Contact

## VadaTech Corporate Office

198 N. Gibson Road, Henderson, NV 89014

Phone: +1 702 896-3337 | Fax: +1 702 896-0332

## Asia Pacific Sales Office

7 Floor, No. 2, Wenhua Street, Neihu District, Taipei 114, Taiwan

Phone: +886-2-2627-7655 | Fax: +886-2-2627-7792

## VadaTech European Sales Office

VadaTech House, Bulls Copse Road, Southampton, SO40 9LR

Phone: +44 2380 016403

[info@vadatech.com](mailto:info@vadatech.com) | [www.vadatech.com](http://www.vadatech.com)

# Choose VadaTech

## We are technology leaders

- First-to-market silicon
- Constant innovation
- Open systems expertise

## We commit to our customers

- Partnerships power innovation
- Collaborative approach
- Mutual success

## We deliver complexity

- Complete signal chain
- System management
- Configurable solutions

## We manufacture in-house

- Agile production
- Accelerated deployment
- AS9100 accredited



**vadatech**  
THE POWER OF VISION

## Trademarks and Disclaimer

The VadaTech logo is a registered trademark of VadaTech, Inc. Other registered trademarks are the property of their respective owners. AdvancedTCA™ and the AdvancedMC™ logo are trademarks of the PCI Industrial Computers Manufacturers Group. All rights reserved. Specification subject to change without notice.

© 2020 VadaTech Incorporated. All rights reserved.  
DOC NO. 4FM737-12 REV 01 | VERSION 1.3 – AUG/23