

VT125

Test Fixture for the XMC style Modules

VT125



vadatech
THE POWER OF VISION

Key Features

- Test fixture for testing XMC modules outside of the XMC Carrier
- Follows the VITA 42 specification
- Allows testing of the XMC conduction cool as well as convection cool modules
- x8 OCuLink connection to the carrier or an External PC (utilizing VadaTech XMC125 and/or PCI125/PCI128 module for a PC interface)
- PCIe x8 Gen4 interface to the XMC
- Breakout of the XMC I/O connector for testability of the XMC rear I/O
- Intelligent Fan controller keeps the XMC at a temp configured by the user
- +12V input only

Benefits

- VadaTech provides full integration
- Compact size allows placing the VT125 in chamber testing as well as Vib/Shock fixture
- Electrical, mechanical, software, and system-level expertise in house
- Full system supply from industry leader
- AS9100 and ISO9001 certified company



VT125

The VT125 is a test asset that allows testing any XMC module external to the Carrier. This allows testing the XMC in environmental chamber as well as shock/vib fixture.

The XMC module interfaces to the VT125 via PCIe x8 Lanes Gen4 (module will negotiate with the host which allows the PCIe to go down to PCIe x1 lane). The user defined XMC I/O is routed to the rear of the VT125 to allow a breakout of the user defined I/O on a separate I/O module.

The VT125 allows XMC module in conduction cool as well as non-conduction form factor. The onboard intelligent Fan controller allows the XMC module to operate at a temperature set by the user.

Figure 1: VT125

Block Diagram

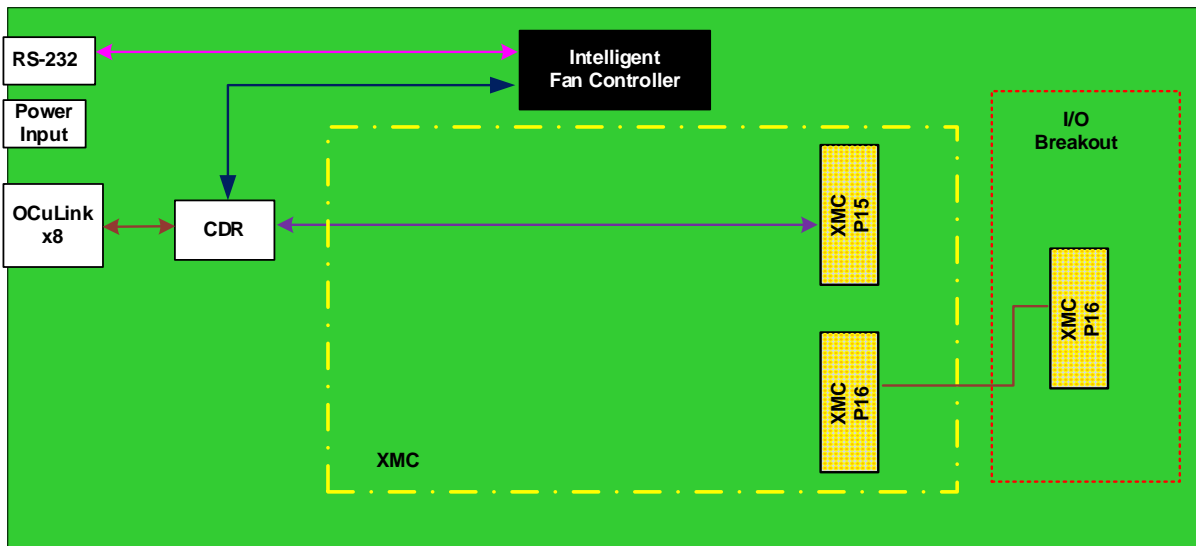


Figure 2: VT125 Functional Block Diagram

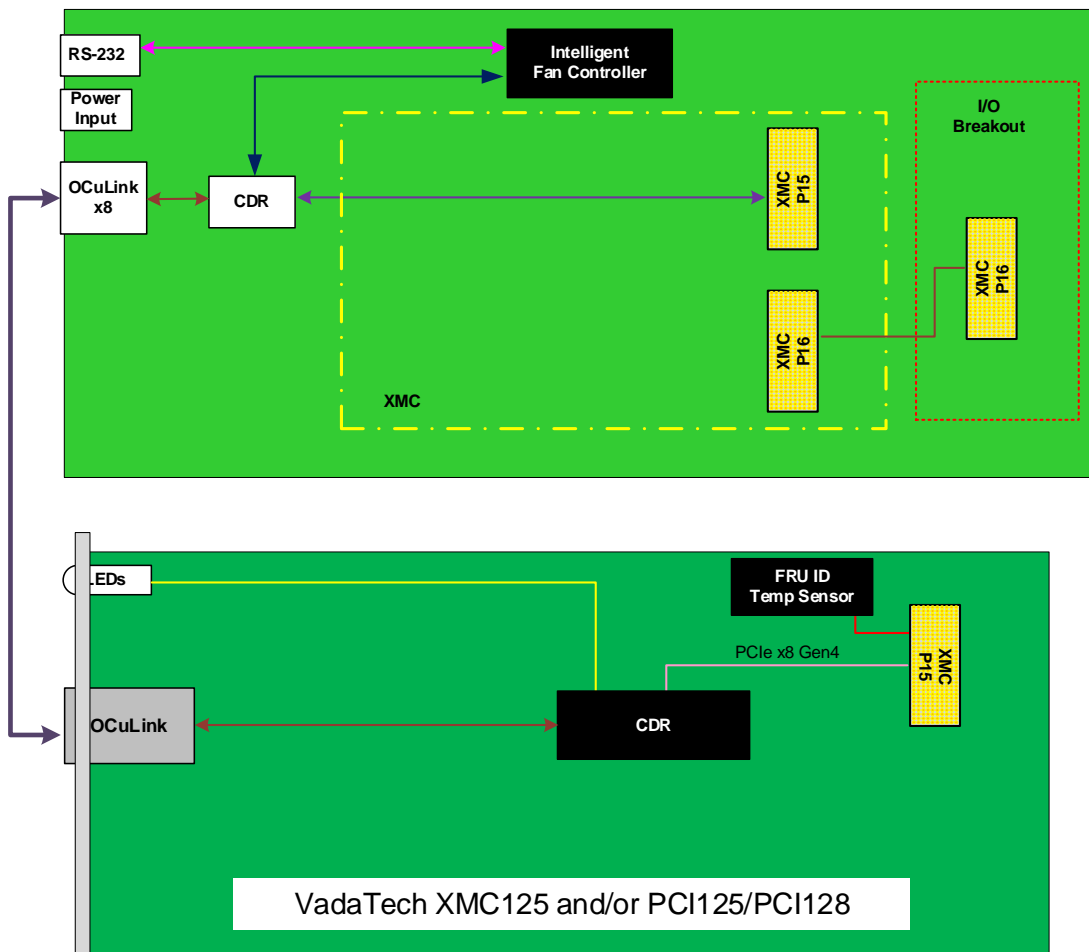


Figure 3: VT125 Connectivity Block Diagram

Specifications

Architecture		
Physical	Dimensions	Width: Depth:
Type	XMC Test Fixture	Single XMC style per VITA 42
Standards		
Module Management	IPMI	Module can read the sensors on the XMC and display on the RS-232
Configuration		
Power	VT125	+12V
Environmental	Temperature	See Ordering Options and Environmental Spec Sheet
Front Panel	Interface Connectors	OCuLink and RS-232 via DB-9
	LEDs	Power Good, etc.
Software Support	Operating System	Agnostic
Other		
MTBF		MIL Hand book 217-F@ TBD hrs
Certifications		Designed to meet FCC, CE and UL certifications, where applicable
Standards		VadaTech is certified to both the ISO9001:2015 and AS9100D standards
Warranty		Two (2) years, see VadaTech Terms and Conditions

INTEGRATION SERVICES AND APPLICATION-READY PLATFORMS

VadaTech has a full ecosystem of OpenVPX, ATCA and MTCA products including chassis platforms, shelf managers, AMC modules, Switch and Payload Boards, Rear Transition Modules (RTMs), Power Modules, and more. The company also offers integration services as well as pre-configured Application-Ready Platforms. Please contact VadaTech Sales for more information.

Ordering Options

VT125 – A00-000-0HJ

A = I/O break out module for the XMC		
0 = None 1 = Reserved 2 = Reserved 3 = Reserved 4 = Reserved 5 = Reserved		
		H = Temperature Range
		1 = Commercial (-5° to 55°C) 2 = Industrial (-20° to 65°C) 3 = Extended (-40° to 85°C)
		J = Conformal Coating
		0 = No coating 1 = Humiseal 1A33 Polyurethane 2 = Humiseal 1B31 Acrylic

Notes:

Related Products

ATC128



- Dual socket 24-core Intel® Xeon® Platinum Processors - Scalable Performance (SP)
- Multiple SKU support (i.e. 8256, 8253, 6238T, 6230T, 5220T, 5218T, 4209T, etc.)
- Twelve banks of DDR4 for up to 384 GB with ECC per socket (total of 768 GB)

ATC342



- AdvancedTCA Video Mixer (Windowing)
- External Input: 4 Analog and 1 DVI-I (Analog or 24-bit Digital)
- External Output: Analog daisy-chain and 1 DVI-I (Analog and 24-bit Digital)

VT835



- 19" rack mount 3U ATCA Hybrid AMC Chassis
- 1x ATCA slot, 8 mid-size AMC slots and 2x ATCA RTM slots
- 40G or 10G fabric across the backplane

Contact

VadaTech Corporate Office

198 N. Gibson Road, Henderson, NV 89014

Phone: +1 702 896-3337 | Fax: +1 702 896-0332

Asia Pacific Sales Office

7 Floor, No. 2, Wenhua Street, Neihu District, Taipei 114, Taiwan

Phone: +886-2-2627-7655 | Fax: +886-2-2627-7792

VadaTech European Sales Office

VadaTech House, Bulls Copse Road, Southampton, SO40 9LR

Phone: +44 2380 016403

info@vadatech.com | www.vadatech.com

Choose VadaTech

We are technology leaders

- First-to-market silicon
- Constant innovation
- Open systems expertise

We commit to our customers

- Partnerships power innovation
- Collaborative approach
- Mutual success

We deliver complexity

- Complete signal chain
- System management
- Configurable solutions

We manufacture in-house

- Agile production
- Accelerated deployment
- AS9100 accredited



vadatech
THE POWER OF VISION

Trademarks and Disclaimer

The VadaTech logo is a registered trademark of VadaTech, Inc. Other registered trademarks are the property of their respective owners. AdvancedTCA™ and the AdvancedMC™ logo are trademarks of the PCI Industrial Computers Manufacturers Group. All rights reserved. Specification subject to change without notice.

© 2020 VadaTech Incorporated. All rights reserved.
DOC NO. 4FM737-12 REV 01 | VERSION 1.2 – FEB/24