



KEY FEATURES

- Single-width, mid-height (option for full-height) per AMC.0
- Processor AMC with P2020 @ 1.2Ghz
- Option for PCIe on ports 4-7, SRIO on ports 4-7 or dual SRIO x1 on port 4 and 8
- PCIe Gen1 @ 2.5 Gbit per lane (x4 lane)
- SRIO @ 3.125 Gbit per lane (x4 lane or two x1 lane)
- PCIe is configurable as Host (Root Complex) or Agent
- Up to 4GBytes of DDR-III memory with ECC
- Dual GbE per AMC.2 specification on ports 0 and 1
- 32Mbytes of NOR Flash
- 256 Mbytes of NAND Flash
- IPMI 2.0 compliant
- RoHS compliant
- OS support for Linux and VxWorks

The AMC717 is a Processor AMC (PrAMC) in a single-width, mid-height AdvancedMC™ (AMC) form factor based on the Freescale P2020. The module follows the AMC.1, AMC.2 and the AMC.4 specifications. The module is ideal to be used for data flow management within a chassis. The PCIe/SRIO interface is configurable as Host or Agent mode. The PCIe option runs as x4 while the SRIO can run as x4 or dual x1. The module has option for up to 4GBytes of DDR-III memory with ECC.

The module provides Dual GbE to the rear per AMC.2 specification. It has single GbE to the front.

AdvancedMC™

Processor AMC based on P2020

SPECIFICATIONS

Architecture		
Physical	Dimensions	Single-Width, Mid-Height (Full-Height options)
		Width: 2.89 in. (73.5 mm)
		Depth: 7.11 in. (180.6 mm)
Product Type	AMC Processor	Freescale P2020 @ 1.2GHz
Standards		
AMC	Type	AMC.1, AMC.2 or AMC.4
Module Management	IPMI	IPMI Version 2.0
PCIe	Lanes	x4 as PCIe/SRIO or dual single x1 as SRIO
Configuration		
Power	AMC717	13W
Environmental	Temperature	Operating Temperature: 0° to 60° C (Air flow requirement is to be greater than 200 LFM)
		Storage Temperature: -40° to +90° C
	Vibration	Operating 9.8 m/s ² (1.0G), 5-500Hz
	Shock	Operating 325G/2ms, 160G/1ms
	Relative Humidity	5 to 95 percent, non-condensing
Front Panel	LEDs	IPMI Management Control
		Activity/Link
		Dual GbE via RJ-45
		CPU RS-232 via Micro DB-9
		User LED
	Mechanical	Hot Swap Ejector Handle
Software Support	Operating Systems	Linux and VxWorks
Other		
MTBF	Per MIL-217F Hand book > TBD MTTF Hrs.	
Certifications	Designed to meet FCC, CE and UL certifications where applicable	
Standards	VadaTech is certified to both the ISO9001:2000 and AS9100B:2004 standards	
Compliance	RoHS and NEBS	
Warranty	Two (2) years	
Trademarks and Logos	The VadaTech logo is a registered trademark of VadaTech, Inc. Other registered trademarks are the property of their respective owners. AdvancedMC™ and the AdvancedTCA™ logo are trademarks of the PCI Industrial Computers Manufacturers Group. All rights reserved. Specification subject to change without notice.	

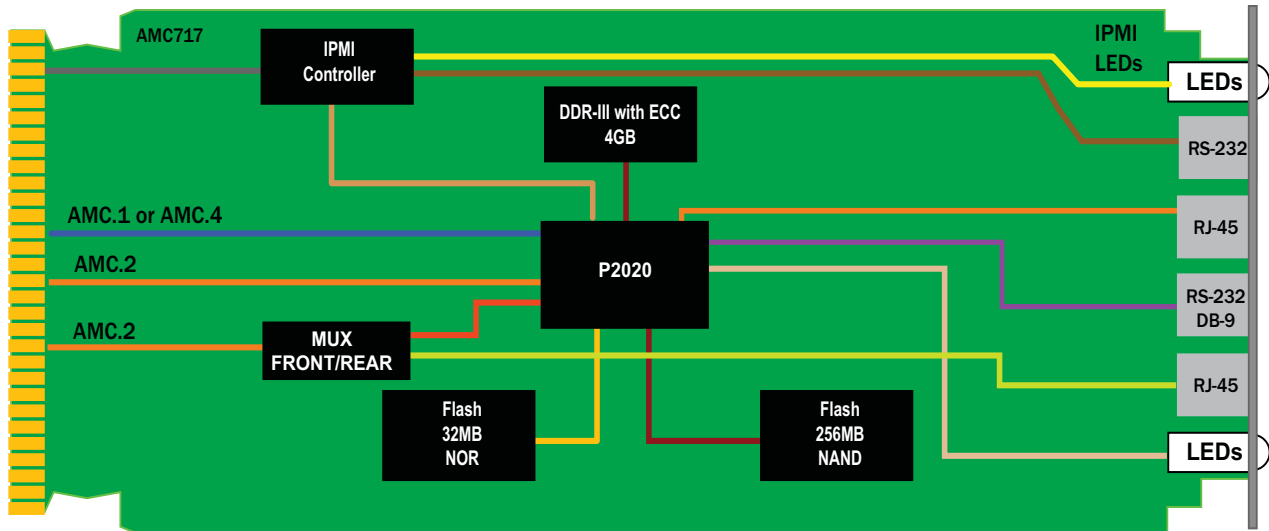
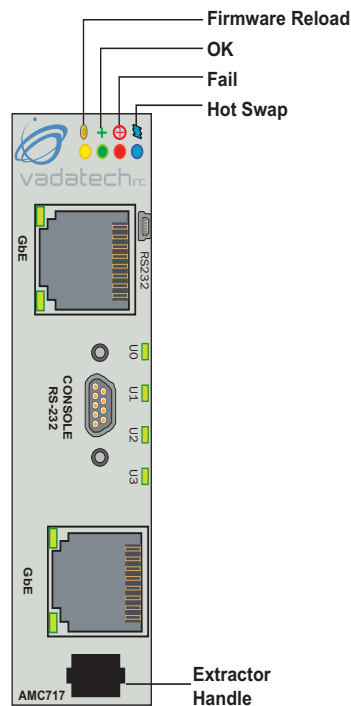


FIGURE 1. AMC717 Functional Block Diagram

FIGURE 2. AMC717 Front Panel



ORDERING OPTIONS

AMC717 - ABC - D00 - OHJ

A = CPU Speed

- 1 = Reserved
- 2 = Reserved
- 3 = 1.2GHz

B = DDR-III ECC memory

- 0 = 2 GByte
- 1 = 4 GByte

C = Front Panel

- 1 = Reserved
- 2 = Mid-Height
- 3 = Full-Height

D = AMC.1 or AMC.4

- 1 = PCIe x4 (ports 4-7)
- 2 = SRIO x4 (ports 4-7)
- 3 = SRIO dual x1 (port 4 and port 8)

H = Operating Temp

- 0 = Commercial
- 1 = Industrial

J = Conformal Coating

- 0 = None
- 1 = Humiseal 1A33 Polyurethane
- 2 = Humiseal 1B31 Acrylic

