

AMC756

Intel Xeon E3 Processor AMC, PCIe Gen3



Key Features

- Processor AMC Intel® Xeon® Processor E3-1505M v6 (Kaby Lake)
- PCIe Gen3 x4 on Ports 4-7 and 8-11 or single PCIe x8 on Ports 4-11 (AMC.1)
- Serial Over LAN (SOL)
- 16 GB of DDR4 memory with ECC
- 64 GB of Flash memory
- Single module, mid-size (option for full-size) per AMC.0

Benefits

- High performance Xeon E3-1505M processor with CM238 PCH
- Graphics output via Mini Display Port
- Design utilizes proven VadaTech subcomponents and engineering techniques
- Electrical, mechanical, software, and system-level expertise in house
- Full system supply from industry leader
- AS9100 and ISO9001 certified company

AdvancedMC™



vadatech
THE POWER OF VISION



AMC756

The AMC756 is a Processor AMC (PrAMC) in a single module, mid-size AdvancedMC (AMC) form factor based on the Intel® Xeon® Processor E3-1505M v6 (Kaby Lake) with CM238 PCH. The processor base frequency is 3.0 GHz with max turbo frequency of 4.0 GHz. The module follows the AMC.1, AMC.2 and the AMC.3 specifications.

The unit provides dual PCIe Gen3 x4 or single x8 on Ports 4-11 per AMC.1, GbE on Ports 0 and 1 per AMC.2, and SATA on Ports 2 and 3 per AMC.3. It also provides GbE to the front panel.

The AMC756 provides up to 16 GB of DDR4 memory with ECC and 64 GB of Flash for the OS. It also has Serial over LAN (SoL).

The BIOS allows booting from onboard Flash, offboard SATA, PXE boot and USB. There are dual USB 3.0 type C connectors for extended storage or peripherals.

Linux OS is standard on the AMC756, consult VadaTech for other options.



Figure 1: AMC756

Block Diagram

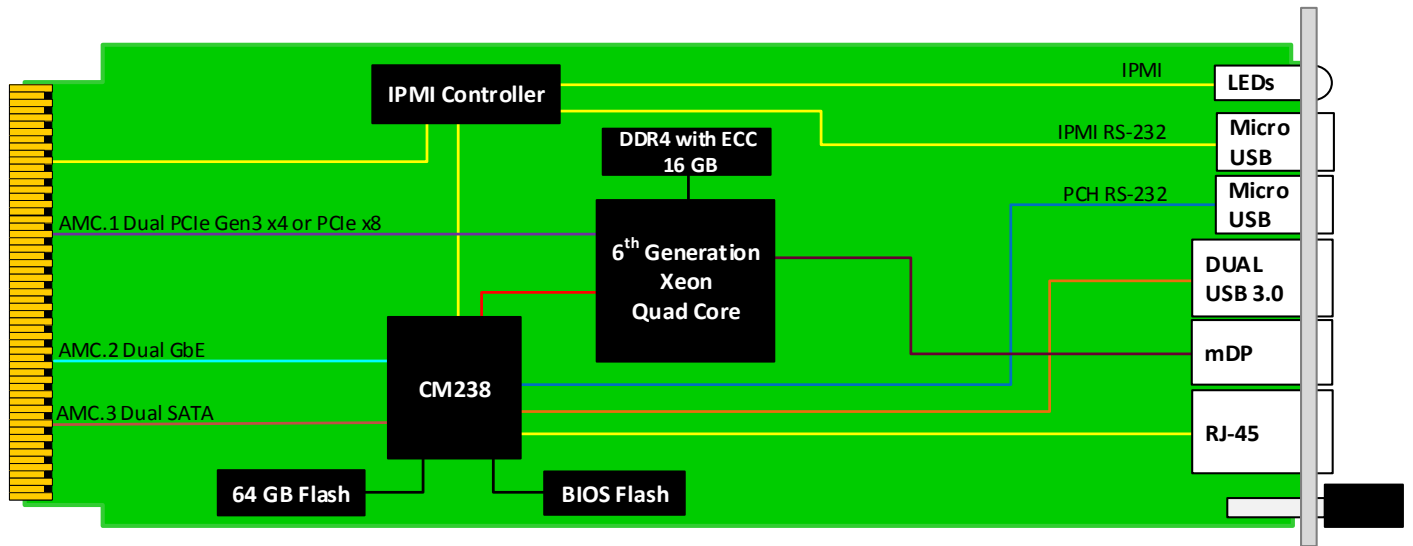


Figure 2: AMC756 Functional Block Diagram

Front Panel

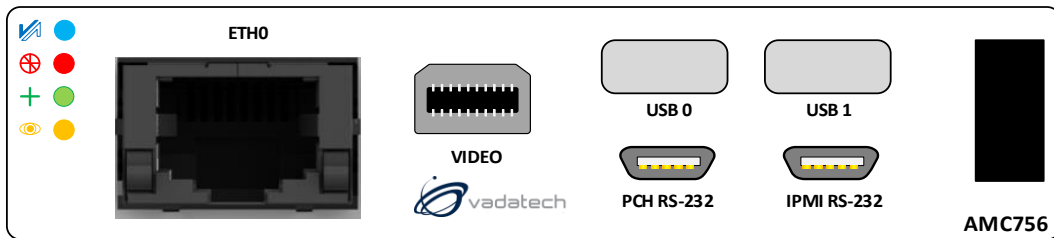


Figure 3: AMC756 Front Panel

Specifications

Architecture	
Physical	Dimensions Width: 2.89" (73.5 mm)
	Depth: 7.11" (180.6 mm)
Type	AMC Processor Intel Xeon E3 Processor AMC, Quad Core, 4.0 GHz
Standards	
AMC	Type AMC.0, AMC.1, AMC.2 and/or AMC.3
Module Management	IPMI IPMI v2.0
PCIe	Lanes Single x8 or dual x4 as PCIe Gen3
Configuration	
Power	AMC756 ~53W
Environmental	Temperature See Ordering Options and Environmental Spec Sheet Storage Temperature: -40° to +90°C
	Altitude Chassis dependent
	Relative Humidity 5 to 95% non-condensing
Front Panel	Interface Connectors 1x RJ-45 for GbE
	2x USB type C connectors for USB 3.0
	2x Micro USB for RS-232
	1x Mini DisplayPort for graphics
	LEDs IPMI, activity and user defined
	Mechanical Hot-swap ejector handle
Software Support	Operating System Linux (consult VadaTech for other options)
Other	
MTBF	MIL Hand book 217-F@ TBD hrs
Certifications	Designed to meet FCC, CE and UL certifications, where applicable
Standards	VadaTech is certified to both the ISO9001:2015 and AS9100D standards
Warranty	Two (2) years, see VadaTech Terms and Conditions

INTEGRATION SERVICES AND APPLICATION-READY PLATFORMS

VadaTech has a full ecosystem of OpenVPX, ATCA and MTCA products including chassis platforms, shelf managers, AMC modules, Switch and Payload Boards, Rear Transition Modules (RTMs), Power Modules, and more. The company also offers integration services as well as pre-configured Application-Ready Platforms. Please contact VadaTech Sales for more information.

Ordering Options

AMC756 – ABC-000-00J

A = DDR4 Memory 0 = Reserved 1 = 16 GB		
B = Flash Storage 0 = Reserved 1 = 64 GB		
C = Front Panel Size 1 = Reserved 2 = Mid-size 3 = Full-size 4 = Extended-size (8 HP) 5 = Mid-size, MTCA.1 (captive screws) 6 = Full-size, MTCA.1 (captive screws) 7 = Extended-size (8 HP), MTCA.1 (captive screws)		J = Temperature Range and Conformal Coating 0 = Commercial (–5° to +55°C), No coating 1 = Commercial (–5° to +55°C), Humiseal 1A33 Polyurethane 2 = Commercial (–5° to +55°C), Humiseal 1B31 Acrylic 3 = Industrial (–20° to +70°C), No coating 4 = Industrial (–20° to +70°C), Humiseal 1A33 Polyurethane 5 = Industrial (–20° to +70°C), Humiseal 1B31 Acrylic 6 = Extended (–40° to +85°C), Humiseal 1A33 Polyurethane* 7 = Extended (–40° to +85°C), Humiseal 1B31 Acrylic*

Notes:

*Conduction cooled; temperature is at edge of module. Consult factory for availability.

Related Products

UTC004



- Unified 1 GHz quad-core CPU for MCMC, Shelf Manager, Clocking, and Fabric management
- Automatic fail-over with redundant UTC004s
- Full Layer 2 or 3 managed Ethernet switches

UTC020



- Single module, full-size per AMC.0
- Dual -36V DC to -75V DC input, 936W (available in 468W)
- Hot-swappable with support for power module redundancy

VT853



- MicroTCA 1U 19" rack mount chassis platform
- Six mid-size AMC slots per 1U Carrier or two double module mid-size with two mid-size AMC slots
- Front to back cooling

Contact

VadaTech Corporate Office

198 N. Gibson Road, Henderson, NV 89014

Phone: +1 702 896-3337 | Fax: +1 702 896-0332

Asia Pacific Sales Office

7 Floor, No. 2, Wenhui Street, Neihu District, Taipei 114, Taiwan

Phone: +886-2-2627-7655 | Fax: +886-2-2627-7792

VadaTech European Sales Office

VadaTech House, Bulls Copse Road, Southampton, SO40 9LR

Phone: +44 2380 016403

info@vadatech.com | www.vadatech.com

Choose VadaTech

We are technology leaders

- First-to-market silicon
- Constant innovation
- Open systems expertise

We commit to our customers

- Partnerships power innovation
- Collaborative approach
- Mutual success

We deliver complexity

- Complete signal chain
- System management
- Configurable solutions

We manufacture in-house

- Agile production
- Accelerated deployment
- AS9100 accredited



vadatech
THE POWER OF VISION

Trademarks and Disclaimer

The VadaTech logo is a registered trademark of VadaTech, Inc. Other registered trademarks are the property of their respective owners. AdvancedTCA™ and the AdvancedMC™ logo are trademarks of the PCI Industrial Computers Manufacturers Group. All rights reserved. Specification subject to change without notice.

© 2020 VadaTech Incorporated. All rights reserved.
DOC NO. 4FM737-12 REV 01 | VERSION 1.2 – FEB/20