

AMC765

Intel® Core™ i7-1185GRE,
Processor AMC



AMC765

Key Features

- Intel® Core™ Processor i7-1185GRE (Tiger Lake)
- 10G XAUI on ports 4-7 and 8-11
- Dual GbE to ports 0-1 and a GbE to Front
- SATA on Port 2
- Dual USB 3.2, Dual RS-232 and Mini Display Port (DP++) to Front
- 32GB of DDR4 with in-band ECC
- 1TB of NVMe SSD
- TPM (Trusted Platform Management)
- Health Management through dedicated Processor
- Single module, mid-size (option for other size) per AMC.0

Benefits

- 11th Gen i7 Intel® Core™ Processor
- Availability of chassis supporting high-speed backplanes
- Design utilizes proven VadaTech subcomponents and engineering techniques
- Electrical, mechanical, software, and system-level expertise in house
- Full system supply from industry leader
- RoHS compliant, AS9100 and ISO9001 certified company



vadatech
THE POWER OF VISION

AdvancedMC™



AMC765

The AMC765 is a Processor AMC (PrAMC) in a single module, mid-size Advanced Mezzanine Card (AMC) form factor based based on the 11th Generation of Intel® Core™ i-7Processor i7-1185GRE (Tiger Lake). The processor base frequency is a quad core 1.8 GHz with max turbo frequency of 4.4 GHz.

The unit provides Dual 10G XAUI on ports 4-7 and 8-11, dual GbE on Ports 0 and 1 per AMC.2, and SATA on Ports 2. It also provides GbE to the front panel.

The AMC765 has up to 32GB of DDR4 memory with in-band ECC and 1TB of NVMe SSD for OS. The BIOS allows booting from onboard Flash, PXE, and/or USB.

The module provides TPM (Trust Management Platform) for secure boot.



Figure 1: AMC765



Figure 2: AMC765 Front View

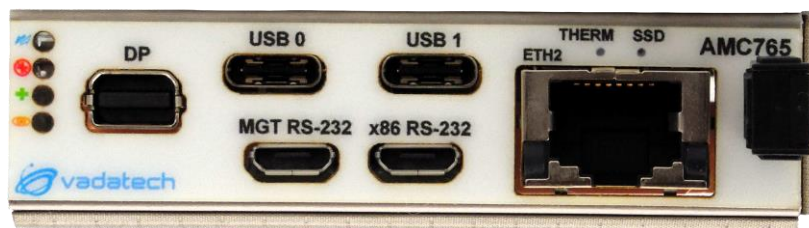


Figure 3: AMC765 Front Panel View

Block Diagram

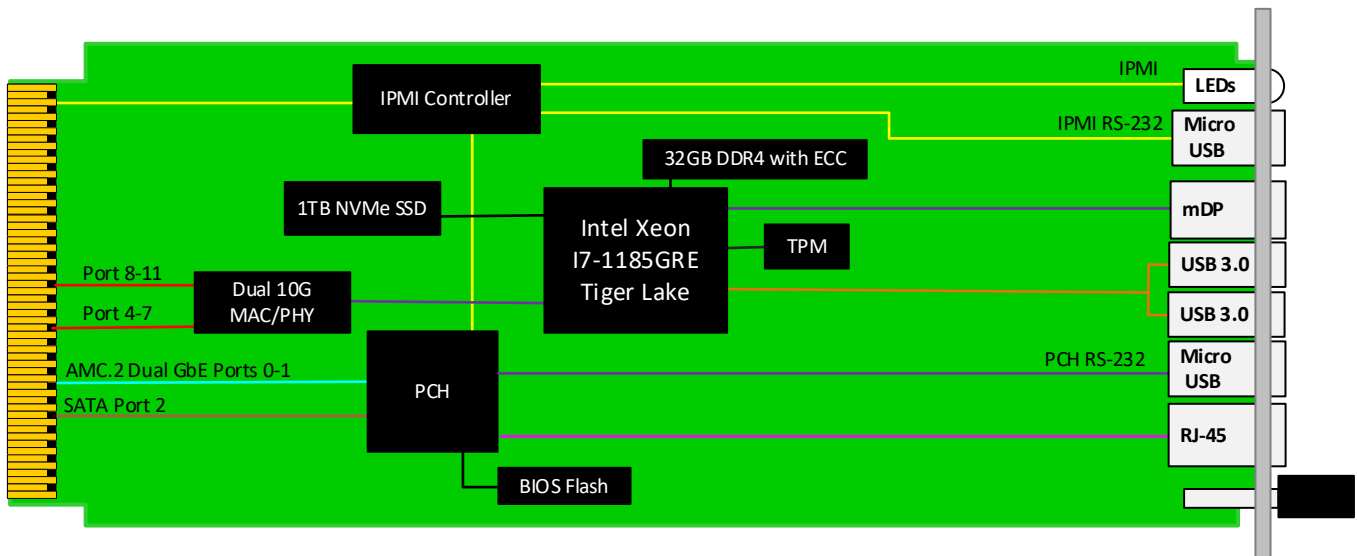


Figure 4: AMC765 Functional Block Diagram

Specifications

| Architecture | |
|--------------------------|---|
| Physical | Dimensions Width: 2.89" (73.5 mm) Depth: 7.11" (180.6 mm) |
| Type | AMC Processor Intel® Core™ Processor i7-1185GRE |
| Standards | |
| AMC | Type AMC.1, AMC.2, AMC.3 (only port 2) |
| Module Management | IPMI IPMI v2.0 |
| 10GbE XAUI | Lanes Port 4-7 and 8-11 |
| Configuration | |
| Power | AMC765 ~31W |
| Environmental | Temperature See Ordering Options Storage Temperature: -40° to +90°C |
| | Altitude Chassis dependent |
| | Relative Humidity 5 to 95% non-condensing |
| Front Panel | Interface Connectors 1x RJ-45 for GbE 2x USB type C connectors for USB 3.2 2x Micro USB for IPMI RS-232 and PCH RS-232 1x Mini Display Port (DP++) for graphics |
| | LEDs IPMI, activity |
| | Mechanical Hot-swap ejector handle |
| Software Support | Operating System Linux (consult VadaTech for other options) |
| Other | |
| MTBF | MIL Hand book 217-F@ TBD hrs |
| Certifications | Designed to meet FCC, CE and UL certifications, where applicable |
| Standards | VadaTech is certified to both the ISO9001:2015 and AS9100D standards |
| Warranty | Two (2) years, see VadaTech Terms and Conditions |

INTEGRATION SERVICES AND APPLICATION-READY PLATFORMS

VadaTech has a full ecosystem of OpenVPX, ATCA and MTCA products including chassis platforms, shelf managers, AMC modules, Switch and Payload Boards, Rear Transition Modules (RTMs), Power Modules, and more. The company also offers integration services as well as pre-configured Application-Ready Platforms. Please contact VadaTech Sales for more information.

Ordering Options

AMC765 – ABC-D00-00J

| | | |
|---|----------------------------------|---|
| A = DDR4 Memory 0 = Reserved 1 = Reserved 2 = 32 GB | D = CPU 0 = i7-1185GRE | |
| B = Flash Storage 0 = Reserved 1 = 1 TB NVMe | | |
| C = Front Panel Size 1 = Reserved 2 = Mid-size 3 = Full-size 4 = 8HP 5 = Reserved 6 = Mid-size, MTCA.1/4 7 = Full-size, MTCA.1/4 8 = 8HP, MTCA.1/4 | | J = Temperature Range and Coating* 0 = Commercial (-5° to +55°C), No coating 1 = Commercial (-5° to +55°C), Humiseal 1A33 Polyurethane 2 = Commercial (-5° to +55°C), Humiseal 1B31 Acrylic 3 = Industrial (-20° to +70°C), No coating 4 = Industrial (-20° to +70°C), Humiseal 1A33 Polyurethane 5 = Industrial (-20° to +70°C), Humiseal 1B31 Acrylic 6 = Extended (-40° to +85°C), Humiseal 1A33 Polyurethane 7 = Extended (-40° to +85°C), Humiseal 1B31 Acrylic |

Notes:

*Edge of module for conduction cooled boards, consult factory for availability

Related Products

UTC004



- Unified 1 GHz quad-core CPU for MCMC, Shelf Manager, Clocking, and Fabric management
- Automatic fail-over with redundant UTC004s
- Full Layer 2 or 3 managed Ethernet switches

UTC020



- Single module, full-size per AMC.0
- Dual -36V DC to -75V DC input, 936W (available in 468W)
- Hot swappable with support for power module redundancy

VT866



- MTCA System Platform 19" x 5U x 10.5" deep (with handles 12" deep)
- Full redundancy with dual MicroTCA Carrier Hub (MCH), dual Cooling Units and dual Power Modules
- Up to 12 AMCs in single width/full-size

Contact

VadaTech Corporate Office

198 N. Gibson Road, Henderson, NV 89014

Phone: +1 702 896-3337 | Fax: +1 702 896-0332

Asia Pacific Sales Office

7 Floor, No. 2, Wenhua Street, Neihu District, Taipei 114, Taiwan

Phone: +886-2-2627-7655 | Fax: +886-2-2627-7792

VadaTech European Sales Office

VadaTech House, Bulls Copse Road, Southampton, SO40 9LR

Phone: +44 2380 016403

info@vadatech.com | www.vadatech.com

Choose VadaTech

We are technology leaders

- First-to-market silicon
- Constant innovation
- Open systems expertise

We commit to our customers

- Partnerships power innovation
- Collaborative approach
- Mutual success

We deliver complexity

- Complete signal chain
- System management
- Configurable solutions

We manufacture in-house

- Agile production
- Accelerated deployment
- AS9100 accredited



vadatech
THE POWER OF VISION

Trademarks and Disclaimer

The VadaTech logo is a registered trademark of VadaTech, Inc. Other registered trademarks are the property of their respective owners. AdvancedTCA™ and the AdvancedMC™ logo are trademarks of the PCI Industrial Computers Manufacturers Group. All rights reserved. Specification subject to change without notice.

© 2020 VadaTech Incorporated. All rights reserved.
DOC NO. 4FM737-12 REV 01 | VERSION 1.5 – SEP/24