

AMC771

Intel® Ice Lake-D Processor Xeon® D-1746TER PCIe

Key Features

- Processor AMC Intel® Ice Lake-D Processor Xeon® D-1746TER (Ice Lake-D)
- Dual PCIe x4 or single x8 on Ports 4-7 and 8-11
- Serial Over LAN (SOL)
- 48GB of DDR4 memory with ECC
- 1TB of NVMe Storage
- Platform Firmware Resilience (PFR) via on board FPGA for security
- Trusted Platform Management (TPM)
- Single module, mid-size with option for full-size or 8HP

Benefits

- Ice Lake-D embedded hardware security features, AI capability, enhanced connectivity and fast boot
- Low power for balanced performance and power
- Ideal upgrade for Broadwell-DE (such as AMC754)
- Electrical, mechanical, software, and system-level expertise in house
- Full system supply from industry leader
- AS9100 and ISO9001 certified company



vadatech
THE POWER OF VISION

AdvancedMC™



AMC771

The AMC771 is a Processor AMC (PrAMC) in a single module, mid-size Advanced Mezzanine Card (AMC) form factor based on the Intel® Processor Xeon® D-1746TER (Ice Lake-D) for general purpose processing in demanding embedded applications. The D-1746TER has 10 cores with three channels of DDR4 memory.

The AMC771 comes with 48GB of DDR4 memory with ECC and 1TB of NVMe storage. The BIOS allows booting from onboard Flash, PXE, and/or USB.

The Module provides dual PCIe x4 or single x8 on Ports 4-11 per AMC.1, GbE on Ports 0/1 to the CPU per AMC.2, and SATA on Ports 2 and 3 per AMC.3. The Module also provides 10GbE-T on the front panel.

The module utilizes the Intel Bootguard PFR via on board FPGA and Trusted Platform Management (TPM). The FPGA can be reprogrammed by the customer to meet their security beyond what is provided by the PFR.

There are dual USB 3.0 type C connectors for extended storage, peripherals and/or for external Display port.

Linux OS is standard on the AMC771, consult VadaTech for other options.

Block Diagram

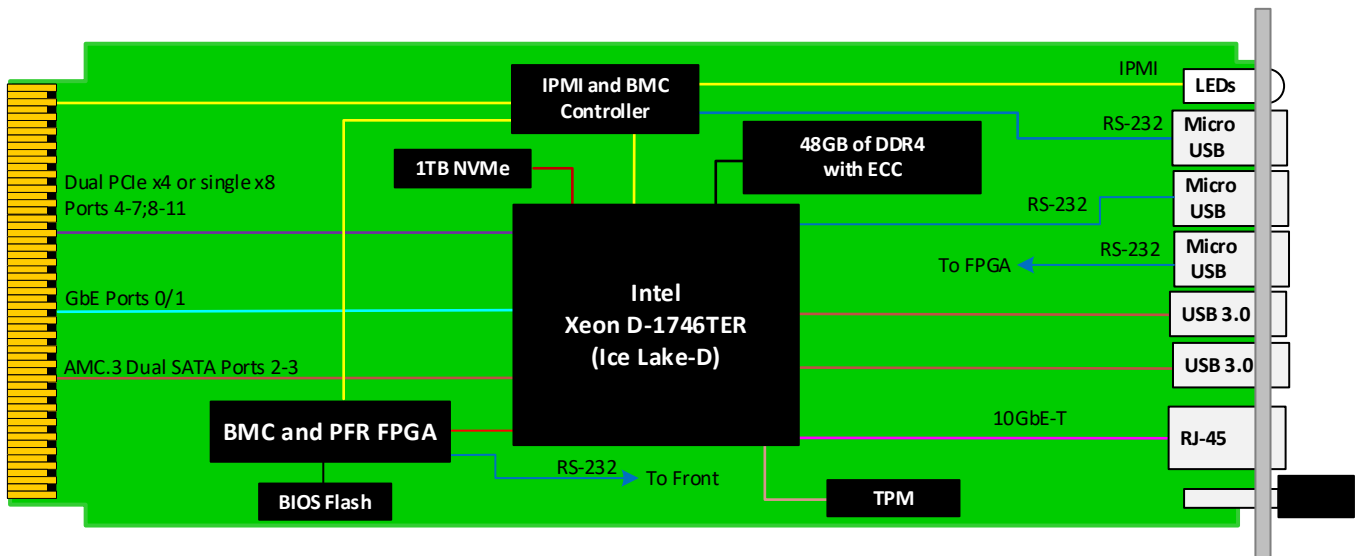


Figure 1: AMC771 Functional Block Diagram

Specifications

Architecture	
Physical	Dimensions Width: 2.89" (73.5 mm) Depth: 7.11" (180.6 mm)
Type	AMC Processor Intel® Ice Lake-D Processor Xeon® D-1746TER
Standards	
AMC	Type AMC.0, AMC.2 and/or AMC.3
Module Management	IPMI IPMI v2.0
PCIe	Lanes Dual PCIe x4 or single x8
Configuration	
Power	AMC771 ~75W
Environmental	Temperature See Ordering Options and Environmental Spec Sheet Storage Temperature: -40° to +90°C Altitude Chassis dependent Relative Humidity 5 to 95% non-condensing
Front Panel	Interface Connectors 10GbE-T via RJ-45 2x USB type C connectors for USB 2.0/3.0 3x Micro USB for RS-232 for each sub-system LEDs IPMI, activity and user defined Mechanical Hot-swap ejector handle
Software Support	Operating System Linux (consult VadaTech for other options)
Other	
MTBF	MIL Hand book 217-F@ TBD hrs
Certifications	Designed to meet FCC, CE and UL certifications, where applicable
Standards	VadaTech is certified to both the ISO9001:2015 and AS9100D standards
Warranty	Two (2) years, see VadaTech Terms and Conditions

INTEGRATION SERVICES AND APPLICATION-READY PLATFORMS

VadaTech has a full ecosystem of OpenVPX, ATCA and MTCA products including chassis platforms, shelf managers, AMC modules, Switch and Payload Boards, Rear Transition Modules (RTMs), Power Modules, and more. The company also offers integration services as well as pre-configured Application-Ready Platforms. Please contact VadaTech Sales for more information.

Ordering Options

AMC771 – ABC-D00-00J

A = DDR4 Memory 0 = 48GB 1 = Reserved	D = CPU 0 = D-1746TER 1 = Reserved 2 = Reserved	
B = NVMe Storage 0 = 1TB 1 = Reserved		
C = Front Panel Size 1 = Mid-size (4HP) 2 = Full-size (4HP) 3 = Extended-size (8HP) 4 = Mid-size, MTCA.1/4 (captive screw) 5 = Full-size, MTCA.1/4 (captive screw) 6 = Extended-size, MTCA.1/4 (captive screw) 7 = Mid-size, MTCA.2 8 = Full-size, MTCA.2		J = Temperature Range and Coating* 0 = Commercial (–5° to +55°C), No coating 1 = Commercial (–5° to +55°C), Humiseal 1A33 Polyurethane 2 = Commercial (–5° to +55°C), Humiseal 1B31 Acrylic 3 = Industrial (–20° to +70°C), No coating 4 = Industrial (–20° to +70°C), Humiseal 1A33 Polyurethane 5 = Industrial (–20° to +70°C), Humiseal 1B31 Acrylic 6 = Extended (–40° to +85°C), Humiseal 1A33 Polyurethane** 7 = Extended (–40° to +85°C), Humiseal 1B31 Acrylic**

Notes:

*Edge of module for conduction cooled boards, consult factory for availability

Related Products

UTC004



- Unified 1 GHz quad-core CPU for MCMC, Shelf Manager, Clocking, and Fabric management
- Automatic fail-over with redundant UTC004s
- Full Layer 2 or 3 managed Ethernet switches

UTC020



- Single module, full-size per AMC.0
- Dual -36V DC to -75V DC input, 936W (available in 468W)
- Hot swappable with support for power module redundancy

VT866



- MTCA System Platform 19" x 5U x 10.5" deep (with handles 12" deep)
- Full redundancy with dual MicroTCA Carrier Hub (MCH), dual Cooling Units and dual Power Modules
- Up to 12 AMCs in single width/full-size

Contact

VadaTech Corporate Office

198 N. Gibson Road, Henderson, NV 89014

Phone: +1 702 896-3337 | Fax: +1 702 896-0332

Asia Pacific Sales Office

7 Floor, No. 2, Wenhui Street, Neihu District, Taipei 114, Taiwan

Phone: +886-2-2627-7655 | Fax: +886-2-2627-7792

VadaTech European Sales Office

VadaTech House, Bulls Copse Road, Southampton, SO40 9LR

Phone: +44 2380 016403

info@vadatech.com | www.vadatech.com

Choose VadaTech

We are technology leaders

- First-to-market silicon
- Constant innovation
- Open systems expertise

We commit to our customers

- Partnerships power innovation
- Collaborative approach
- Mutual success

We deliver complexity

- Complete signal chain
- System management
- Configurable solutions

We manufacture in-house

- Agile production
- Accelerated deployment
- AS9100 accredited



vadatech
THE POWER OF VISION

Trademarks and Disclaimer

The VadaTech logo is a registered trademark of VadaTech, Inc. Other registered trademarks are the property of their respective owners. AdvancedTCA™ and the AdvancedMC™ logo are trademarks of the PCI Industrial Computers Manufacturers Group. All rights reserved. Specification subject to change without notice.

© 2020 VadaTech Incorporated. All rights reserved.
DOC NO. 4FM737-12 REV 01 | VERSION 1.5 – SEP/23