

FMC102 – Dual 10/100/1000 GbE FMC Module

Dual 10/100/1000 GbE FMC



KEY FEATURES

- FPGA Mezzanine Card (FMC) per VITA-57
- Single module
- Dual 10/100/1000 Mbps GbE ports
- Connection via two RJ-45 ports
- LED for Power Fail status
- RoHS compliant

Benefits of Choosing VadaTech

- Array of FMC's and FMC carriers available from VadaTech
- Design utilizes proven VadaTech subcomponents and engineering techniques
- Electrical, mechanical, software, and system-level expertise in house
- Full ecosystem of front and rear boards, enclosures, specialty modules, and test/dev products from one source
- AS9100 and ISO9001 certified company

The FMC102 is an FPGA Mezzanine Module per VITA 57 specification. The FMC102 has two GbE PHY which allows 10/100/1000 Mbit to be routed via SERDES to the appropriate FMC pins.

BLOCK DIAGRAM

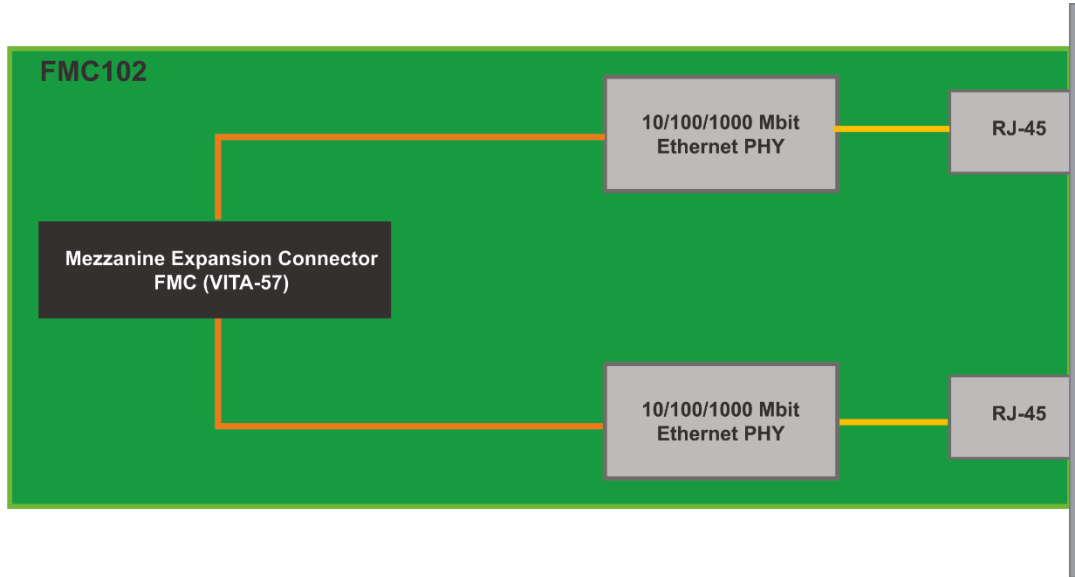


Figure 1: Block Diagram

FRONT PANEL



Figure 2: Front Panel

SPECIFICATIONS

Architecture		
Physical	Dimensions	Single module
		Width 2.71" (69 mm)
		Depth 3.01" (76.5 mm)
Type	FMC	10/100/1000 GbE, Single FMC slot
Standards		
FMC	VITA-57	ANSI/VITA 57.1-2008
Configuration		
Power	FMC102	1 W
Environmental	Temperature	Operating Temperature: 0° to 65° C with air flow requirements >400 LFM
		Storage Temperature: -40° to +90° C
	Vibration	1G, 5 to 500 Hz each axis
	Shock	30Gs each axis
	Relative Humidity	5 to 95 percent, non-condensing
Front Panel	External Interface	RJ-45 (2x)
	LEDs	Link/Activity, Power Fail
Conformal Coating		Humiseal 1A33 Polyurethane (Optional)
		Humiseal 1B31 Acrylic (Optional)
Other		
MTBF	MIL Hand book 217-F @ TBD Hrs.	
Certifications	Designed to meet FCC, CE and UL certifications where applicable	
Standards	VadaTech is certified to both the ISO9001:2000 and AS9100B:2004 standards	
Warranty	Two (2) years	

INTEGRATION SERVICES AND APPLICATION-READY PLATFORMS

VadaTech has a full ecosystem of ATCA and μ TCA products including chassis platforms, shelf managers, AMC modules, Switch and Payload Boards, Rear Transition Modules (RTM), Power Modules, and more. The company also offers integration services as well as pre-configured Application-Ready Platforms. Please contact VadaTech Sales for more information.

Trademarks and Disclaimer

The VadaTech logo is a registered trademark of VadaTech, Inc. Other registered trademarks are the property of their respective owners. AdvancedTCA™ and the AdvancedMC™ logo are trademarks of the PCI Industrial Computers Manufacturers Group. All rights reserved. Specification subject to change without notice.

FMC102 – Dual 10/100/1000 GbE FMC Module

ORDERING OPTIONS

FMC102 – 000 – 000 – GHJ

G = FMC Board Spacing

0 = 10 mm (per VITA-57 specification)

1 = 17.5 mm *

H = Temperature Range

0 = Commercial

1 = Industrial

J = Conformal Coating

0 = None

1 = Humiseal 1A33 Polyurethane

2 = Humiseal 1B31 Acrylic

* For use with carriers that require higher mating clearance, such as VadaTech AMC595. Requires full size AMC.

RELATED PRODUCTS



AMC515 Virtex-7
FPGA Carrier



FMC108 Two QSFP+
FMC



FMC150
IRIG-B FMC

CONTACT US

VadaTech Corporate Office

198 N. Gibson Rd.
Henderson, NV 89014
Email: info@vadatech.com
Telephone: +1 702 896-3337
Fax: +1 702 896-0332

Asia Pacific Sales Office

7 Floor, No. 2, Wenhua Street, Neihu District,
Taipei 114, Taiwan
Email: info@vadatech.com
Telephone: +886-2-2627-7655
Fax: +886-2-2627-7792

VadaTech European Sales Office

VadaTech House, Bulls Copse Road,
Southampton, SO40 9LR
Email: info@vadatech.com
Telephone: +44 2380 016403