

KEY FEATURES

- FPGA Mezzanine Card (FMC) per VITA-57
- Single width
- Four 10/100/1000 Mbit GbE ports
- Connection via quad RJ-45 connector
- RoHS compliant

The FMC103 is an FPGA Mezzanine Module per VITA 57 specification. The FMC103 has a quad GbE PHY which allows 10/100/1000 Mbit to be routed via SERDES to the appropriate FMC pins.

Note: This module requires the Carrier board front panel to be modified. When ordering any of the VadaTech FMC Carrier, VadaTech will provide the modified front panel at no extra cost. The FMC103 is shipped without any FMC panel.

SPECIFICATIONS

| Architecture | | |
|----------------------|---|---|
| Physical | Dimensions | Single-width |
| | | Width: 69mm |
| | | Depth: 76.5mm |
| Type | FMC | 10/100/1000 GbE Single FMC slot |
| Standards | | |
| FMC | VITA57 | ANSI/VITA 57.1-2008 |
| Configuration | | |
| Power | FMC103 | 2W |
| Environmental | Temperature | Operating Temperature: 0° to 65° C (Air flow requirement is to be greater than 400 LFM) |
| | | Storage Temperature: -40° to +90° C |
| | Vibration | 1G, 5-500Hz each axis |
| | Shock | 30Gs each axis |
| Front Panel | Relative Humidity | 5 to 95 percent, non-condensing |
| | Interface Connectors | RJ-45 |
| | LEDs | none |
| Other | | |
| MTBF | MIL Handbook 217-F > TBD. | |
| Certifications | Designed to meet FCC, CE and UL certifications where applicable | |
| Standards | VadaTech is certified to both the ISO9001:2000 and AS9100B:2004 standards | |
| Compliance | RoHS and NEBS | |
| Warranty | Two (2) years. | |
| Trademarks and Logos | The VadaTech logo is a registered trademark of VadaTech, Inc. Other registered trademarks are the property of their respective owners. AdvancedMC™ and the AdvancedTCA™ logo are trademarks of the PCI Industrial Computers Manufacturers Group. All rights reserved. Specification subject to change without notice. | |

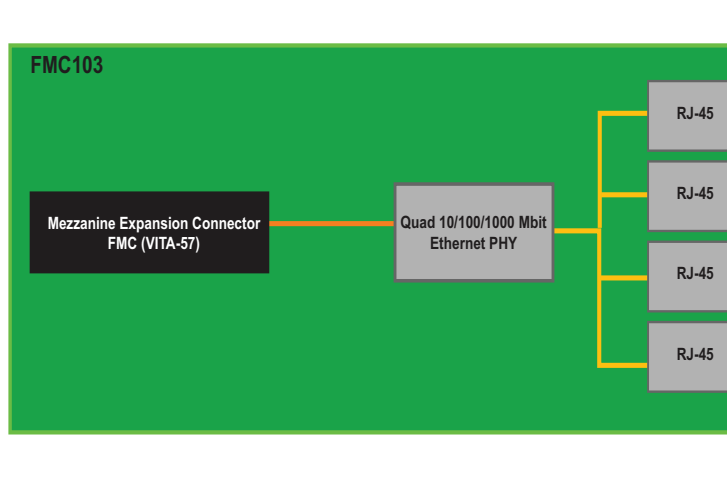


FIGURE 1. FMC103 Functional Block Diagram

ORDERING OPTIONS

FMC103 - 000 - 000 - GHJ

G = FMC Board Spacing

- 0 = 10 mm (per VITA-57 specification)
- 1 = 17.5 mm *

H = Operating Temp

- 0 = Commercial
- 1 = Industrial

J = Conformal Coating

- 0 = None
- 1 = Humiseal 1A33 Polyurethane
- 2 = Humiseal 1B31 Acrylic

* For use with carriers that require higher mating clearance, such as VadaTech AMC595. Requires full size AMC.

