

# SOF201

## Octal RF Transceiver, SOFI Module

### Key Features

- Octal wideband Transceiver, 300 MHz to 6 GHz, using four AD9371
- Transmit synthesis bandwidth to 250 MHz
- Two Observation Receiver, one Sniffer Receiver
- Clock from onboard Wideband PLL or direct RF clock
- LMK04821 PLL with 122.88 MHz VCXO

The SOF201 has four AD9371 transceivers, each providing dual differential transmitter, dual differential receiver, two observation receivers and a sniffer receiver. The transceivers have a tuneable range of 300 MHz to 6000 MHz with transmit synthesis bandwidth to 250 MHz and receive bandwidth of 8 MHz to 100 MHz. The module is suitable for aerospace, instrumentation and communication applications, and supports frequency division duplex (FDD) and time division duplex (TDD) operation.

**NOTE:** This module is not orderable as a standalone item and must be purchased as part of an AMSxxx (AMC module) or VPSxxx (3U VPX module) product. See [SOFI Overview](#) for details.



**vadatech**  
THE POWER OF VISION



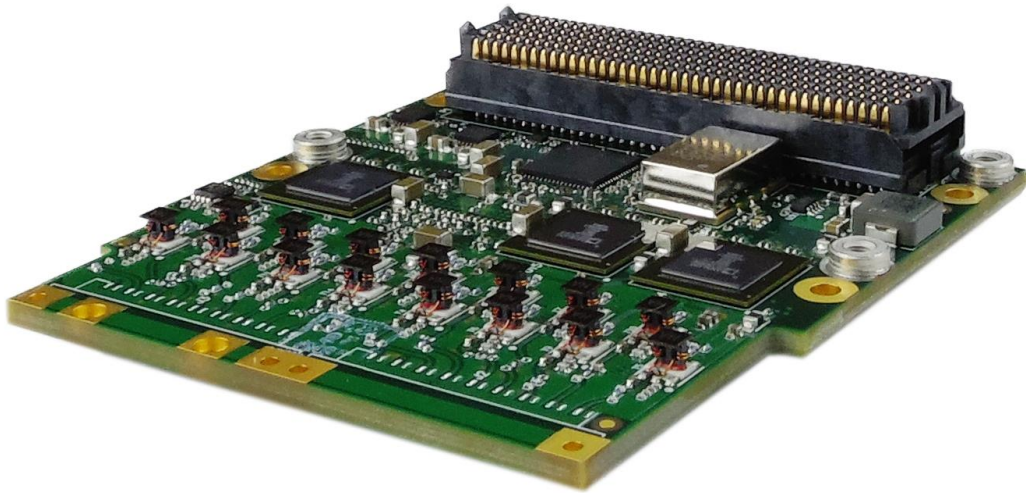


Figure 1: SOF201

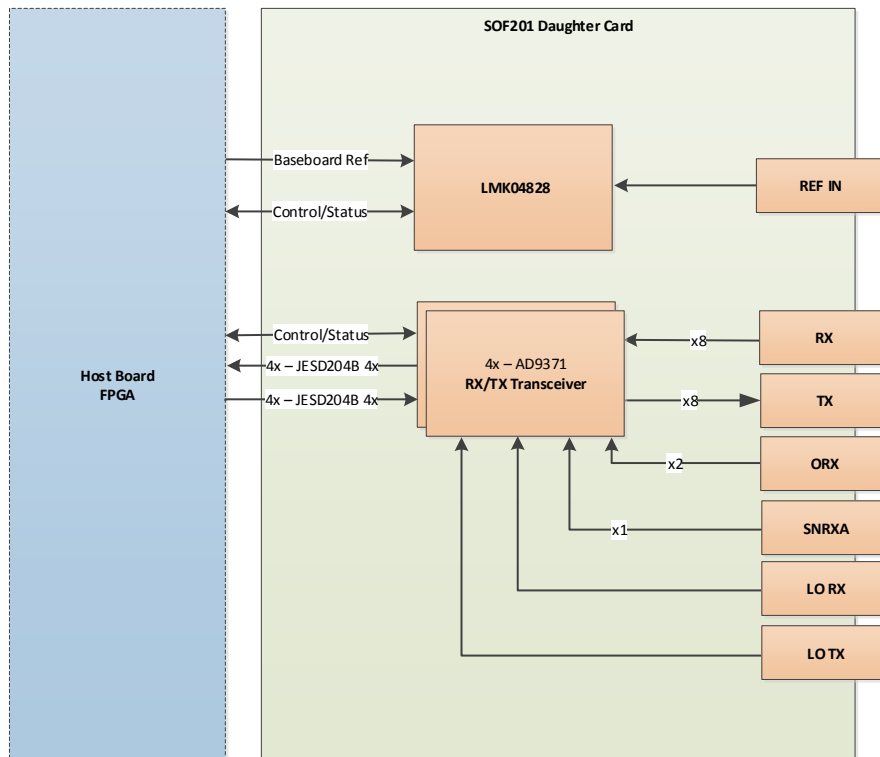


Figure 2: SOF201 Functional Block Diagram

# Contact

## VadaTech Corporate Office

198 N. Gibson Road, Henderson, NV 89014

Phone: +1 702 896-3337 | Fax: +1 702 896-0332

## Asia Pacific Sales Office

7 Floor, No. 2, Wenhua Street, Neihu District, Taipei 114, Taiwan

Phone: +886-2-2627-7655 | Fax: +886-2-2627-7792

## VadaTech European Sales Office

VadaTech House, Bulls Copse Road, Southampton, SO40 9LR

Phone: +44 2380 016403

info@vadatech.com | www.vadatech.com

# SOFI Modules

SOFI modules are physically similar to FMC modules but are incompatible with FMC carriers, and are not designed to be interchangeable in the field.

See [SOFI Overview](#) for compatibility with AMC and 3U VPX carriers. If the particular combination of form factor, FPGA and ADC/DAC performance you require is not yet listed, please contact your local VadaTech sales team for details of how we can support you.

**NOTE: This module is not orderable as a standalone item and must be purchased as part of an AMSxxx (AMC module) or VPSxxx (3U VPX module) product.**



**vadatech**  
THE POWER OF VISION

## Trademarks and Disclaimer

The VadaTech logo is a registered trademark of VadaTech, Inc. Other registered trademarks are the property of their respective owners. AdvancedTCA™ and the AdvancedMC™ logo are trademarks of the PCI Industrial Computers Manufacturers Group. All rights reserved. Specification subject to change without notice.

© 2020 VadaTech Incorporated. All rights reserved.  
DOC NO. 4FM737-12 REV 01 | VERSION 1.1 – MAR/20