

SOF219

Quad DAC, SOFI Module



SOF219

Key Features

- Quad DAC (AD9162) with programmable output Attenuation
- LMK04832 PLL
- LXM2592 PLL

SOF219 is a PLL card with Quad DAC (AD9162) and programmable output Attenuation. Each DAC has x4 SERDES lanes connected. Daughter card DA788 is used in combination with SOF219 providing up to 4 AD9162/4s.

NOTE: This module is not orderable as a standalone item and must be purchased as part of an AMSxxx (AMC module) or VPSxxx (3U VPX module) product. See [SOFI Overview](#) for details.



vadatech
THE POWER OF VISION



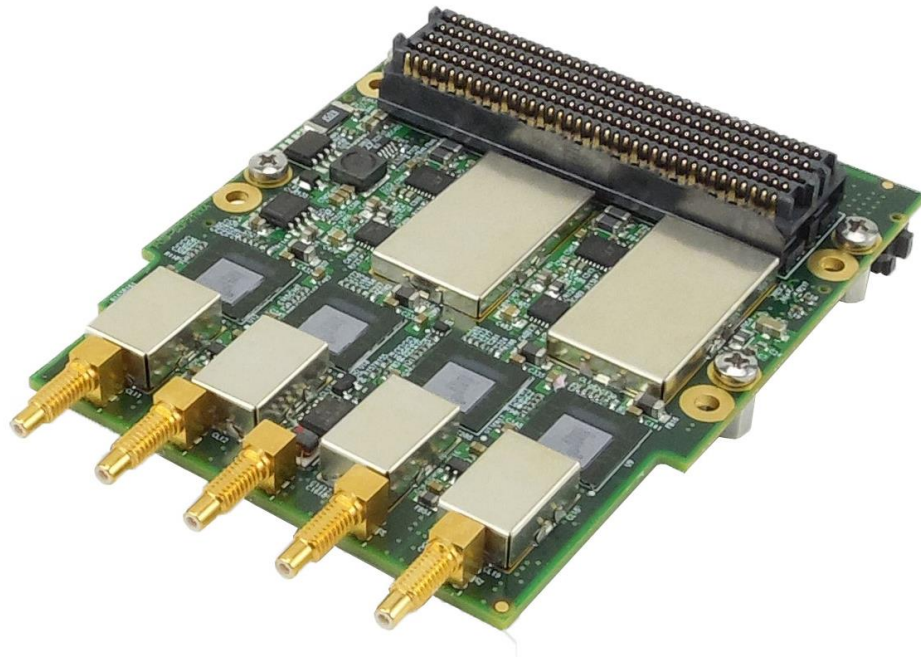


Figure 1: SOF219

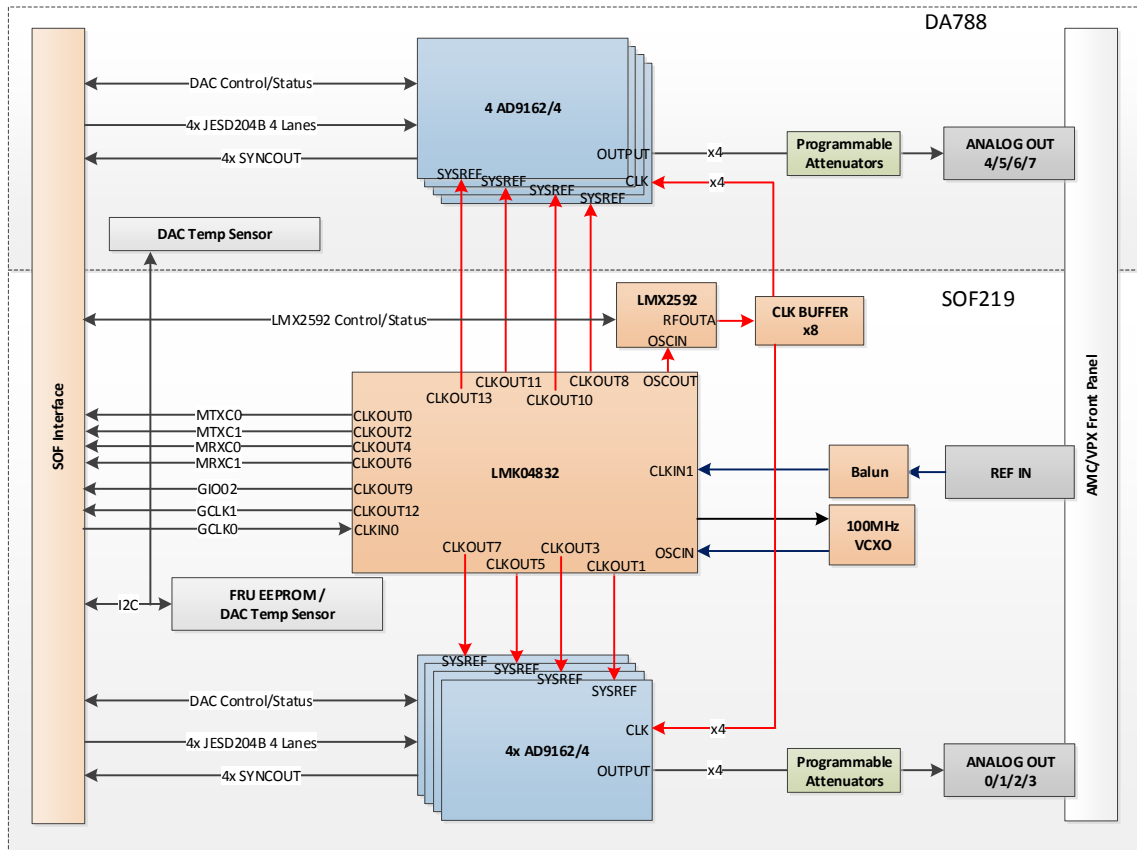


Figure 2: SOF219 and DA788 Functional Block Diagram

Contact

VadaTech Corporate Office

198 N. Gibson Road, Henderson, NV 89014

Phone: +1 702 896-3337 | Fax: +1 702 896-0332

Asia Pacific Sales Office

7 Floor, No. 2, Wenhui Street, Neihu District, Taipei 114, Taiwan

Phone: +886-2-2627-7655 | Fax: +886-2-2627-7792

VadaTech European Sales Office

VadaTech House, Bulls Copse Road, Southampton, SO40 9LR

Phone: +44 2380 016403

info@vadatech.com | www.vadatech.com

SOFI Modules

SOFI modules are physically similar to FMC modules but are incompatible with FMC carriers, and are not designed to be interchangeable in the field.

See [SOFI Overview](#) for compatibility with AMC and 3U VPX carriers. If the particular combination of form factor, FPGA and ADC/DAC performance you require is not yet listed, please contact your local VadaTech sales team for details of how we can support you.

NOTE: This module is not orderable as a standalone item and must be purchased as part of an AMSxxx (AMC module) or VPSxxx (3U VPX module) product.



vadatech
THE POWER OF VISION

Trademarks and Disclaimer

The VadaTech logo is a registered trademark of VadaTech, Inc. Other registered trademarks are the property of their respective owners. AdvancedTCA™ and the AdvancedMC™ logo are trademarks of the PCI Industrial Computers Manufacturers Group. All rights reserved. Specification subject to change without notice.

© 2020 VadaTech Incorporated. All rights reserved.
DOC NO. 4FM737-12 REV 01 | VERSION 1.3 – MAR/20