

VT953

1U Rugged MicroTCA Chassis,
6 AMCs, 40G



VT953

Key Features

- MicroTCA rugged 1U 19" rackmount chassis platform
- Designed to meet MIL-STD-810F, MIL-STD-901D for shock/vibration
- Designed to meet MIL-STD-461E for EMI
- Full Layer 3 managed Ethernet switch
- Dual 40GbE per AMC slot
- Chassis accepts AMCs with single retention screw opposite of ejector handle on each slot
- Management can run as Shelf/ MicroTCA Carrier Management Controller (MCMC) or MCMC
- AMC.2 and AMC.3 compliant
- Front-to-back cooling

Benefits

- Lightweight aluminium construction
- Meets MIL specifications for shock/vibration and EMI
- Scorpionware Shelf Management Software included at no additional cost
- Advanced GPS clocking/receiver options including IEEE 1588, SyncE, and NTP clocking
- Electrical, mechanical, software, and system-level expertise in house
- AS9100 and ISO9001 certified company
- Full system supply from industry leader



vadatech
THE POWER OF VISION

μTCA®

40G



VT953

The VT953 is a rugged 1U chassis used in Mil/Aero or other applications that need to withstand shock/vibration. The lightweight aluminum construction provides 6 single module mid-size AMC slots. For front panel retention, there is a single MicroTCA.1 screw on the opposite side of the ejector handle of each module slot.

The front-to-rear cooled chassis utilizes the VadaTech 3rd generation MCH (UTC004) for its shelf manager, crossbar clocking for low jitter, GPS/IEEE1588/SyncE/NTP, etc.

The VT953 has dual 40GbE routed to each AMC slot and the backplane also provides direct connection between adjacent AMC slots on Ports 2-3 and on Ports 12-20.



Figure 1: VT953

Power Supplies

The VT953 has options for different DC inputs via the front panel. The module has a single power supply which is removable from the rear of the chassis.

Cooling and Temperature Sensors

The VT953 has an intelligent Cooling Unit that is built into the removable power supply tray. The cooling airflow is from front to back. Temperature sensors fitted throughout the chassis monitor intake and outtake air temperature.

Base/Fabric Channel Ethernet Switch

The VT953 provides dual GbE and dual 40GbE to each of the AMC slots and further includes two 40GbE egress ports on the front panel. The switch is fully Layer 3 managed enabling a comprehensive enterprise-grade routing and switching feature set. It supports Synchronous Ethernet (SyncE) and IEEE1588.

Scorpion™ Software

VadaTech's Scorpionware software can be used to access information about the current state of the Shelf or the Carrier, obtain information such as the FRU population, or monitor alarms, power management, current sensor values, and the overall health of the Shelf. The software GUI is very powerful, providing a Virtual Carrier and FRU construct for a simple, effective interface.

Chassis



Figure 2: VT953 Front View



Figure 3: VT953 Rear View

Chassis Layout



Figure 4: VT953 Front Panel

GPS and General-Purpose Clocks

The MTCA specification defines a set of clocks for telecom and non-telecom applications. The VadaTech VT953 has the most sophisticated clocking distribution in the market to meet the most stringent requirements such as wireless infrastructure, high speed A/D, etc. and supports the following GPS and general-purpose clocking features:

- Low-jitter/low-skew backplane crossbar clock routing matrix for TCLKA(CLK1)/TCLKB(CLK2)/TCLKC/TCLKD for all AMCs
- FCLKA is provided as a 100 MHz HCSL clock
- Clock disciplining with arbitrary clock frequency output and holdover (Stratum-3 option) including 1PPS regeneration and holdover
- Flexible integration and synchronization between GPS, IEEE1588/SyncE, and NTP clocking enabling Grand Master clock functionality
- 'Any Frequency' high-quality clock generation/jitter cleaning for up to two user clocks
- Supports hitless automatic clock failover for improved reliability
- Optional built-in GPS receiver enables direct time/clock synchronization to the GPS satellite constellation.

The VT953 supports flexible front panel clock port ordering options:

- Two DC-coupled LVCMOS Inputs/Outputs, or two AC-coupled Sine-wave Inputs, or one of each
- Built-in GPS receiver for time/location/clock synchronization plus a DC-coupled LVCMOS Input/Output.

GPS Receiver Enabled Features

The VT953 can be ordered with a GPS Receiver option. The receiver disciplines an onboard high-quality DLL which is phase/frequency aligned to the atomic clocks in the GPS satellite constellation. The onboard clock synthesis/jitter cleaning capability can be utilized to convert this frequency into any frequency desired while still remaining locked to the GPS atomic clocks.

When the GPS Receiver option is purchased the VT953 has the capability to re-transmit the incoming GPS data via Ethernet to other nodes in the network in the Trimble TSIP binary protocol format. This GPS data is also sent out the front panel GPS RS-232 serial port in the standard NMEA format for use by external equipment. When the GPS Receiver option is purchased along with the PCIe Fat Pipes fabric, the MCH also provides a precision PCIe Time-stamping Engine capability to a PrAMC PCIe Root Complex on the backplane. This engine appears as a PCIe device to the AMC card and a device driver is available which will allow the AMC card to read all GPS status including position, velocity, status, etc., in addition to precision timestamps, time trigger, and time event interrupt functionalities.

IEEE1588 PTP and NTP Grand Master Clock

The VT953 can provide Ethernet time services to the chassis networks on both the 40GbE/GbE fabric. It can be subordinate to an external PTP or NTP master server or when the GPS receiver option is purchased can act as a Grand Master clock utilizing the precision timing information provided via the GPS receiver and onboard disciplined oscillator.

Synchronous Ethernet

The VT953 provides a Synchronous Ethernet (SyncE) on the 40GbE/GbE Ports. With this feature, ports on the Ethernet switch can be designated as master or slave ports and the Ethernet fabrics within the chassis can be synchronized from end-to-end with external equipment. This feature utilizes advanced telecom-grade network synchronization PLLs to provide exceptional SyncE performance.

JTAG Master/JTAG Via Ethernet Virtual Probe

The VT953 provides JTAG Master Capability to send out configuration data streams via the chassis JTAG Switch Module (JSM) to configure arbitrary JTAG Slave devices on AMC cards. Virtual Probe services are also available to provide JTAG via Ethernet for specific vendors such as Xilinx and Altera. This allows for standard development tools such as Xilinx iMPACT/ChipScope and Altera Programmer/SignalTap to treat the MCH/JSM combination as if it was a standard JTAG probe. This approach frees the developer from having to attach JTAG probes directly to the AMC or JSM which can be difficult when systems are already fully assembled. It also allows for remote debugging across long distances when required without the need to install additional JTAG equipment on-site. The Master test/configuration port is easily accessible via the front panel header.

VadaTech Single Latching Flange (SLF) Design

The VadaTech SLF design is a space-saving solution for rugged environments and is compatible with the VT953. It provides one latching flange and screw on the opposite side of the standard AMC latching handle. This front panel solution provides improved retention, strength and stability. MicroTCA.1 compliant AMCs have latching flanges on both sides of the board, providing up to 25g shock and 8g random vibration resistance. However, in horizontal-mount enclosures the dual flanges take up considerable space. The SLF design from VadaTech reduces the space utilized, allowing more performance density to be offered in specially-designed enclosures. The SLF solution's screw spacing is compatible with MicroTCA.1. Therefore, this design can be utilized in all of VadaTech's standard 3U to 5U horizontal-mount chassis that accept both MicroTCA.0 and MicroTCA.1 panels.



Figure 5: Single Latching Flange Panel (example)

There are also Latching Tabs available to provide extra secure mounting for standard MicroTCA.0 AMCs.



Figure 6: Latching Tab for Standard MTCA.0 AMC

Block Diagram

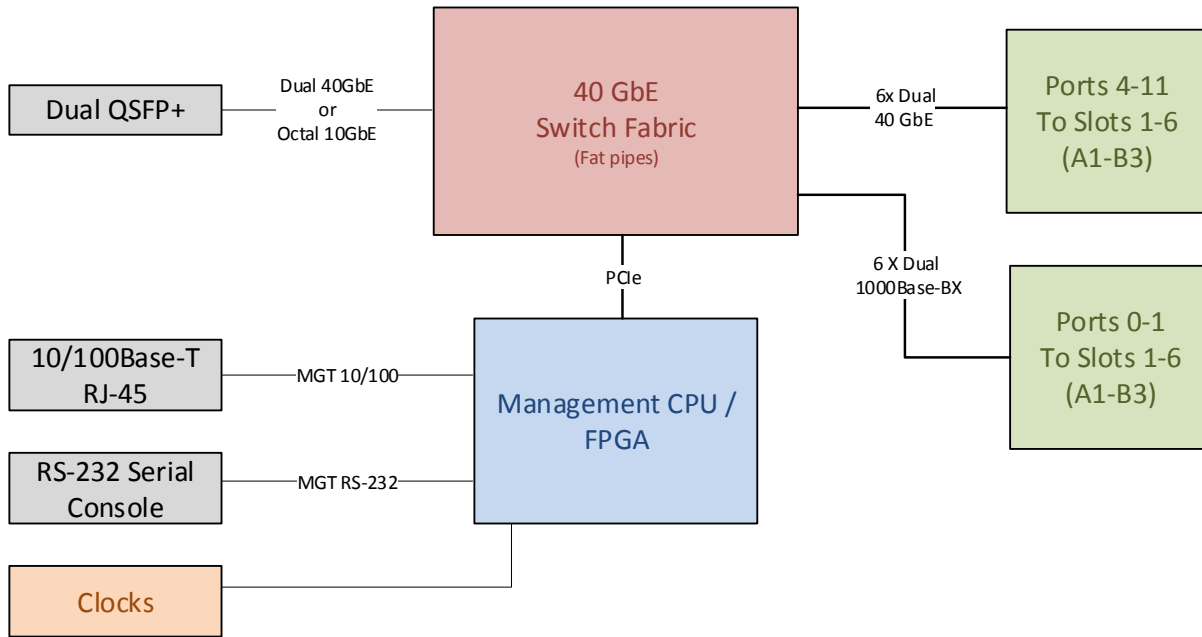


Figure 7: VT953 Block Diagram

Backplane Connections

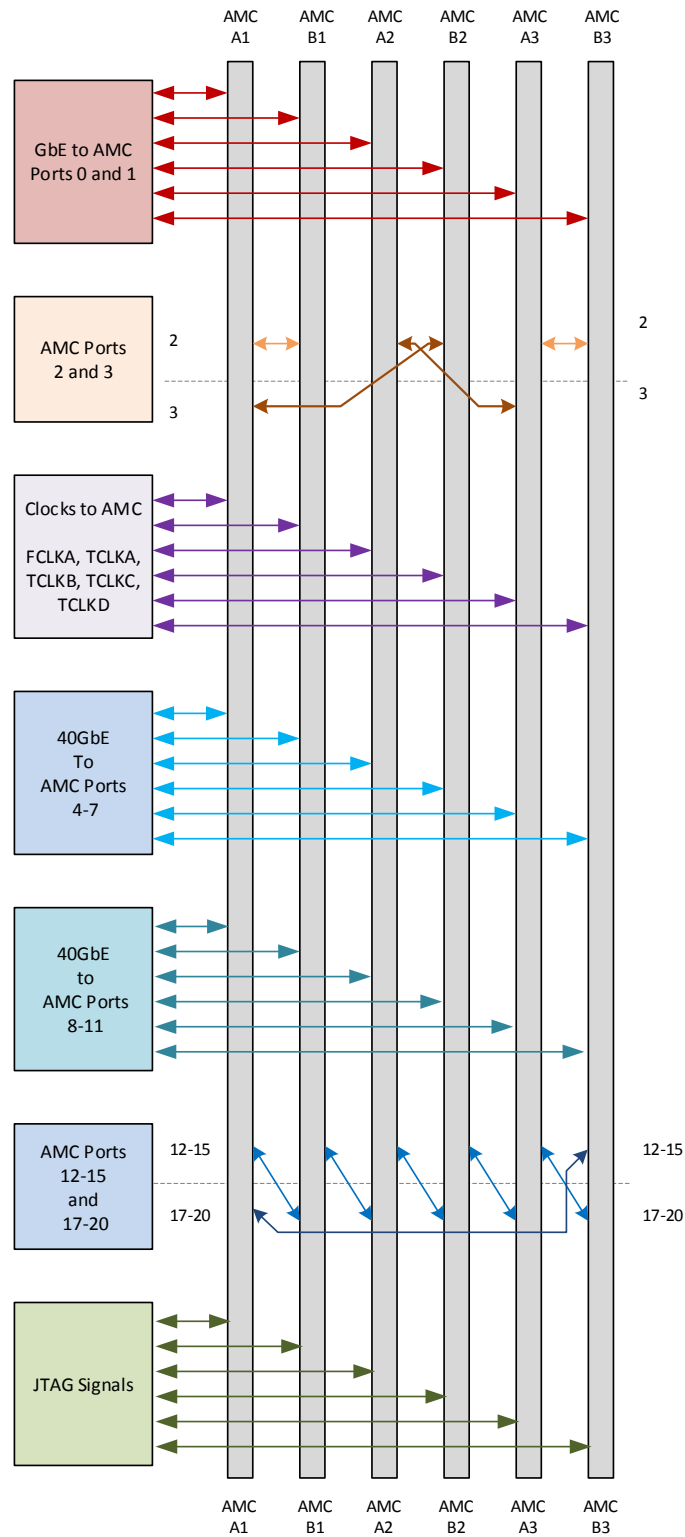


Figure 8: VT953 Backplane Connections

Specifications

Architecture	
Physical	Dimensions Height: 1U
	Width: 19"
	Depth 16" (406 mm)
Type	MTCA Chassis 6 AMC.0 Single module, mid-size slots
Standards	
AMC	Type AMC.0, AMC.2 and AMC.3
MTCA	Type PICMG 3.0 Revision 2.0
Module Management	IPMI IPMI v2.0
Configuration	
Power	VT953 460W -36 to -75V DC
	400W +18 to +36V DC
	200W +10 to +36V DC
Environmental	Temperature See Ordering Options
	Storage Temperature: -40° to +85°C
	Altitude 10,000 ft operating 40,000 ft non-operating
	Relative Humidity 5 to 95% non-condensing
Front Panel	Interface Connectors Mini RJ-45 for 10/100 and MGT RS-232
	SMPM for Clock input
	Dual QSFP+ for dual 40GbE or Octal 10GbE
	LEDs IPMI, Link, Activity and Status
Software Support	Operating System Linux
Other	
MTBF	MIL Hand book 217-F@ TBD hrs
Certifications	Designed to meet FCC, CE and UL certifications, where applicable
Standards	VadaTech is certified to both the ISO9001:2015 and AS9100D standards
Warranty	One (1) year, see VadaTech Terms and Conditions

INTEGRATION SERVICES AND APPLICATION-READY PLATFORMS

VadaTech has a full ecosystem of OpenVPX, ATCA and MTCA products including chassis platforms, shelf managers, AMC modules, Switch and Payload Boards, Rear Transition Modules (RTMs), Power Modules, and more. The company also offers integration services as well as pre-configured Application-Ready Platforms. Please contact VadaTech Sales for more information.

Ordering Options

VT953 – ABC-DEF-G0J

A = Power Module	D = Clock Holdover Stability	G = Front Panel Power Connector
0 = DC -36V to -75V (460W) 1 = DC 18V to 36V (400W) 2 = DC 10V to 36V (200W)	0 = Standard (XO) 1 = Stratum-3 (TCXO)	0 = TE Mini CPC 1 = 2M Micro 38999
B = JSM	E = JTAG Virtual Probe	
0 = No JSM 1 = JSM	0 = No JTAG Virtual Probe 1 = JTAG Virtual Probe	
C = Front Panel Clocking	F = QSFP+ TXCVRs	J = Temperature Range and Coating
0 = None (Backplane clocking only) 1 = Dual LVCMOS Clock In/Out 2 = Sine Wave In + LVCMOS In/Out 3 = Built-in GPS receiver + LVCMOS In/Out 4 = Dual Sine Wave In 5 = GPS receiver + Sine Wave In 6 = Sine Wave In (up to 17dBm) +TTL/LVCMOS In	0 = No TXCVRs 1 = Dual SR 2 = Dual LR 3 = Dual WDM LC Style	0 = Commercial (-5° to +55°C), No coating 1 = Commercial (-5° to +55°C), Humiseal 1A33 Polyurethane 2 = Commercial (-5° to +55°C), Humiseal 1B31 Acrylic 3 = Industrial (-20° to +70°C), No coating 4 = Industrial (-20° to +70°C), Humiseal 1A33 Polyurethane 5 = Industrial (-20° to +70°C), Humiseal 1B31 Acrylic

Related Products

VT950



- MicroTCA rugged 1U 19" rackmount chassis platform
- Meets MIL-STD-810F, MIL-STD-901D for shock/vibration
- Meets MIL-STD-461E for EMI

VT872



- MTCA.3 Conduction Cooled System Platform
- 1/2 Short Air Transport Rack (ATR) per ARINC404A, with NO internal fan (12.62" deep without handle)
- Customized Front Input/Output (I/O) Panel Connector layout per customer requirement (option per MIL-DTL-M38999)

AMC339



- Comprehensive multi-protocol support
- Support for MIL-STD-1553A/B, MIL-STD-1760
- Support for ARINC 429, ARINC 575, ARINC 717, ARINC 825

Contact

VadaTech Corporate Office

198 N. Gibson Road, Henderson, NV 89014

Phone: +1 702 896-3337 | Fax: +1 702 896-0332

Asia Pacific Sales Office

7 Floor, No. 2, Wenhua Street, Neihu District, Taipei 114, Taiwan

Phone: +886-2-2627-7655 | Fax: +886-2-2627-7792

VadaTech European Sales Office

VadaTech House, Bulls Copse Road, Southampton, SO40 9LR

Phone: +44 2380 016403

info@vadatech.com | www.vadatech.com

Choose VadaTech

We are technology leaders

- First-to-market silicon
- Constant innovation
- Open systems expertise

We commit to our customers

- Partnerships power innovation
- Collaborative approach
- Mutual success

We deliver complexity

- Complete signal chain
- System management
- Configurable solutions

We manufacture in-house

- Agile production
- Accelerated deployment
- AS9100 accredited



vadatech
THE POWER OF VISION

Trademarks and Disclaimer

The VadaTech logo is a registered trademark of VadaTech, Inc. Other registered trademarks are the property of their respective owners. AdvancedTCA™ and the AdvancedMC™ logo are trademarks of the PCI Industrial Computers Manufacturers Group. All rights reserved. Specification subject to change without notice.

© 2019 VadaTech Incorporated. All rights reserved.
DOC NO. 4FM737-12 REV 01 | VERSION 1.3 – DEC/19