

# VRT998A

## Rear Transition Loop-Back and Break-Out Panel for 3U VPX Modules



VRT998A

## Key Features

- 3U VPX RTM Module
- Loop-Back and Break-Out panel for a 3U VPX

## Benefits

- Design utilizes proven VadaTech subcomponents and engineering techniques
- Electrical, mechanical, software, and system-level expertise in house
- Full system supply from industry leader
- AS9100 and ISO9001 certified company

OpenVPX™



vadatech  
THE POWER OF VISION



# VRT998A

The VRT998A is a loop-back and break-out panel for a 3U VPX Rear Transition Module (RTM).

The VRT998A could be used for testing/validation of the high speed SERDES for a 3U VPX modules. The VRT998A via zero-ohm resistors routes the P1/P2 of the front module high speed SERDES TX+/- to its RX+/- . Total of 32 loop-back which covers all the 32 SERDES (TX/RX) of the front module. The zero Ohm resistors could be removed to reduce the number of lanes.

The RTM brings out the JTAG as well as the two VPX P0 clocks into a Twinax connector. In addition, the RTM brings out the NVROM/\*SYSREST/\*SYSCON to the rear panel for ease of access. The VPX geographic address could be set by an on-board switch to a unique address.

The VRT998A has high speed VPX connector for test/validation of 25G SERDES.



Figure 1: VRT998A



Figure 2: VRT998A Front View

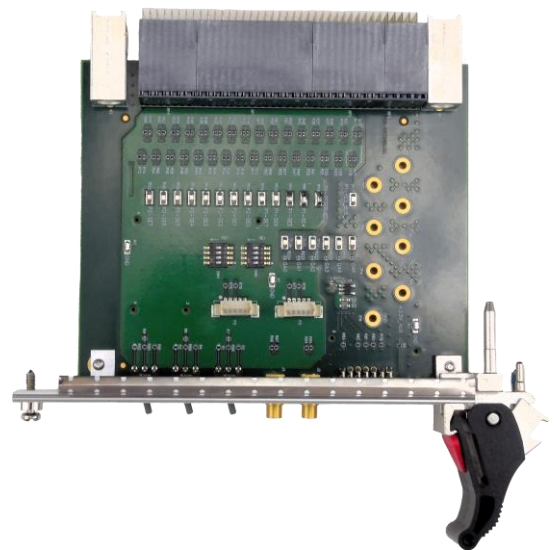


Figure 3: VRT998A Top View

# Block Diagram

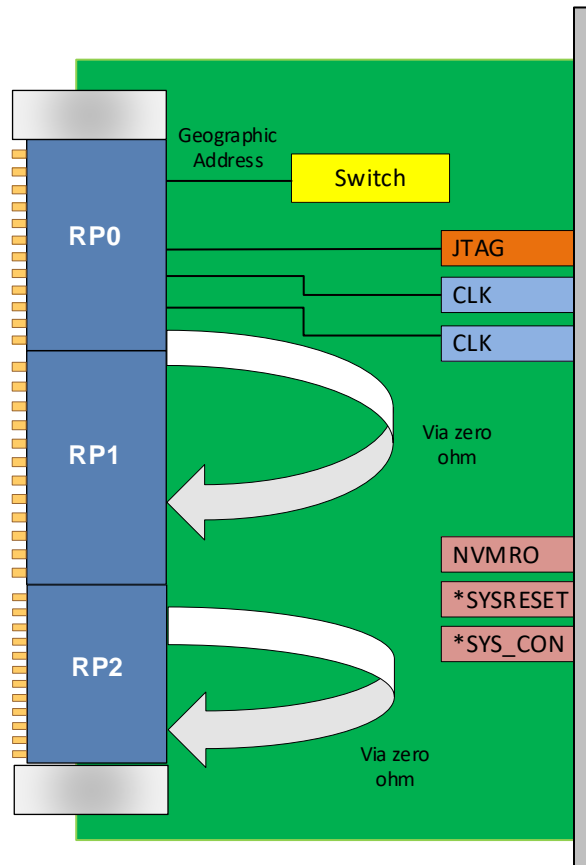


Figure 4: VRT998A Functional Block Diagram

# Front Panel



Figure 5: VRT998A Front Panel View

# Specifications

Architecture	
<b>Physical</b>	<b>Dimensions</b> 3U
<b>Type</b>	<b>Breakout Panel</b>
Standards	
<b>VPX</b>	<b>Type</b> VITA46.x
<b>VPX</b>	<b>Type</b> VITA 65 OpenVPX
<b>VPX</b>	<b>Panel Profile</b> See <a href="#">Ordering Options</a>
Configuration	
<b>Power</b>	N/A
<b>Rear Panel</b>	<b>Interface Connector</b> Toggle switches JTAG
Other	
<b>MTBF</b>	MIL Hand book 217-F@ TBD hrs
<b>Certifications</b>	Designed to meet FCC, CE and UL certifications, where applicable
<b>Standards</b>	VadaTech is certified to both the ISO9001:2015 and AS9100D standards
<b>Warranty</b>	Two (2) years, see <a href="#">VadaTech Terms and Conditions</a>

## INTEGRATION SERVICES AND APPLICATION-READY PLATFORMS

VadaTech has a full ecosystem of ATCA and MTCA products including chassis platforms, shelf managers, AMC modules, Switch and Payload Boards, Rear Transition Modules (RTMs), Power Modules, and more. The company also offers integration services as well as pre-configured Application-Ready Platforms. Please contact VadaTech Sales for more information.

# Ordering Options

VRT998A – 000-000-G00

		<b>G = Slot Profile</b>
		0 = 5 HP
		1 = Reserved

# Contact

## VadaTech Corporate Office

198 N. Gibson Road, Henderson, NV 89014

Phone: +1 702 896-3337 | Fax: +1 702 896-0332

## Asia Pacific Sales Office

7 Floor, No. 2, Wenhua Street, Neihu District, Taipei 114, Taiwan

Phone: +886-2-2627-7655 | Fax: +886-2-2627-7792

## VadaTech European Sales Office

VadaTech House, Bulls Copse Road, Southampton, SO40 9LR

Phone: +44 2380 016403

[info@vadatech.com](mailto:info@vadatech.com) | [www.vadatech.com](http://www.vadatech.com)

# Choose VadaTech

## We are technology leaders

- First-to-market silicon
- Constant innovation
- Open systems expertise

## We commit to our customers

- Partnerships power innovation
- Collaborative approach
- Mutual success

## We deliver complexity

- Complete signal chain
- System management
- Configurable solutions

## We manufacture in-house

- Agile production
- Accelerated deployment
- AS9100 accredited



**vadatech**  
THE POWER OF VISION

## Trademarks and Disclaimer

The VadaTech logo is a registered trademark of VadaTech, Inc. Other registered trademarks are the property of their respective owners. AdvancedTCA™ and the AdvancedMC™ logo are trademarks of the PCI Industrial Computers Manufacturers Group. All rights reserved. Specification subject to change without notice.

© 2020 VadaTech Incorporated. All rights reserved.  
DOC NO. 4FM737-12 REV 01 | VERSION 1.1 – MAY/24